

# BE\$T VALUE CLOSETS—QUICK SHEET 12/8/10



## FEATURES OF CLOSET CABINETS:

- Melamine, 3/4" thick or Birch Plywood as per color selected
- Classic Raised Panel Rigid Thermafoil drawer fronts for melamine; 5-piece wood for birch plywood
- 1mm PVC edge on melamine; wood edge on plywood
- Epoxy-coated drawer slides

### STOCK MELAMINE COLORS:

- White Mel. (WHT)
- Light Maple Mel. (LMP)
- Medium Cherry Mel. (MCH)
- Medium Oak Mel. (MOK) - **DID**

### NEW HYBRID PLYWOOD COLORS "COMING SOON":

- Dark Walnut Ply. (DWP)
- Red Cherry Ply. (RCP)

### STOCK VENEER CORE PLY. COLOR:

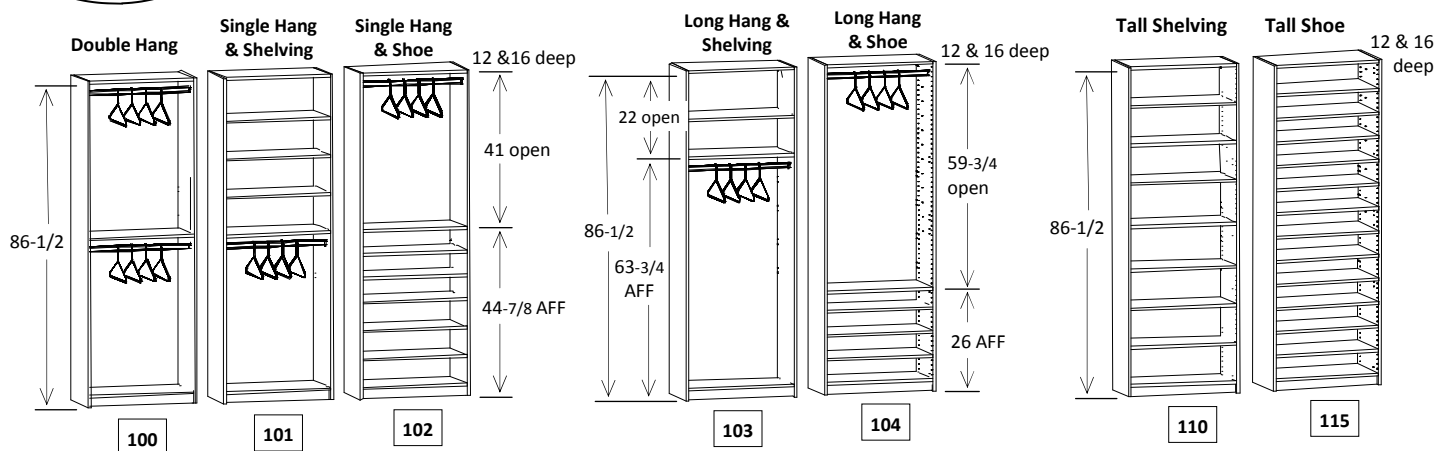
- Natural Birch Plywood (NBP)

## SECTION I: FLOOR MOUNT CABINETS

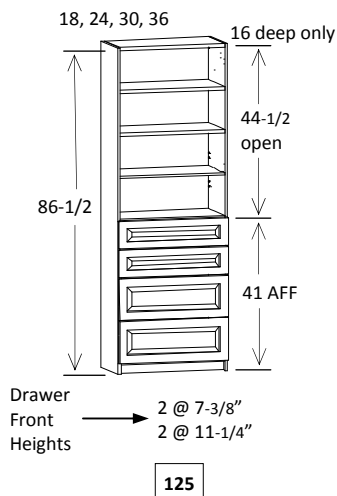
All Floor Mount cabinets are offered in 18", 24", 30", & 36" widths.

For customized layouts and personalized design service, inquire about our **Gialla Closet** line.

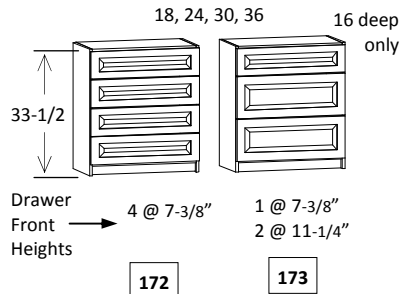
Available in 1 week or less.



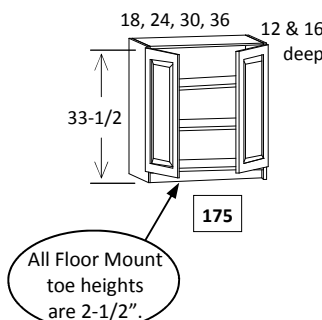
### Tall Drawers with Shelving



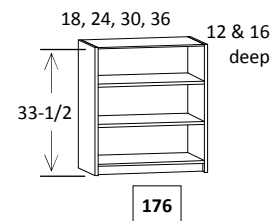
### Base with Drawers



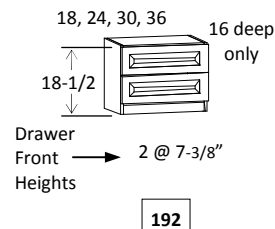
### Base with Full-Height Doors



### Base Open-Shelf



### Bench / Window Seat



Part # Structure:  
100-3016-WHT  
Cab ID                      Color  
Width x Depth

# BE\$T VALUE CLOSETS—QUICK SHEET 12/8/10

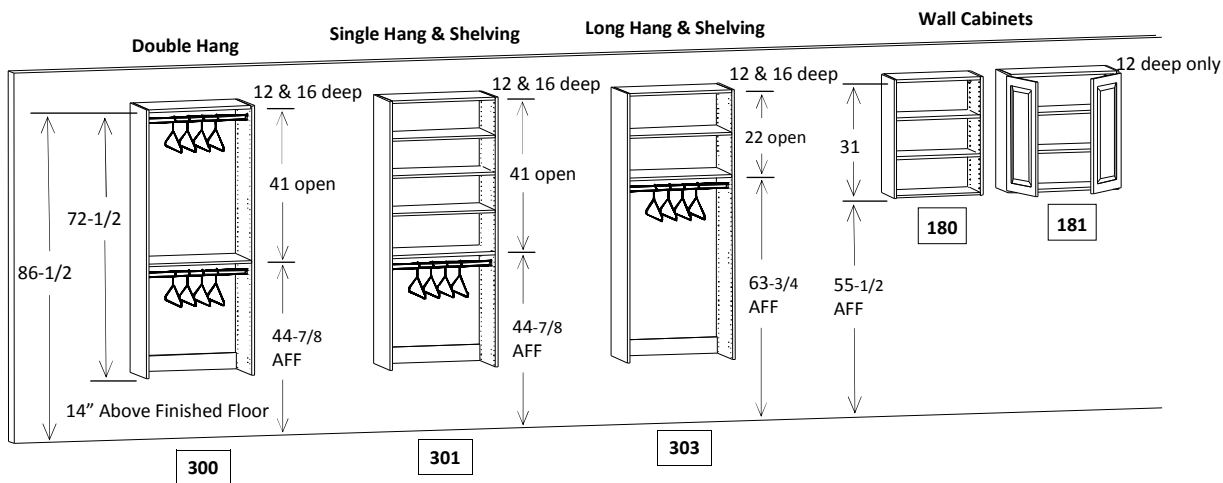
All Wall Mount cabinets are offered in 18", 24", 30", & 36" widths.

## SECTION II: WALL MOUNT CABINETS

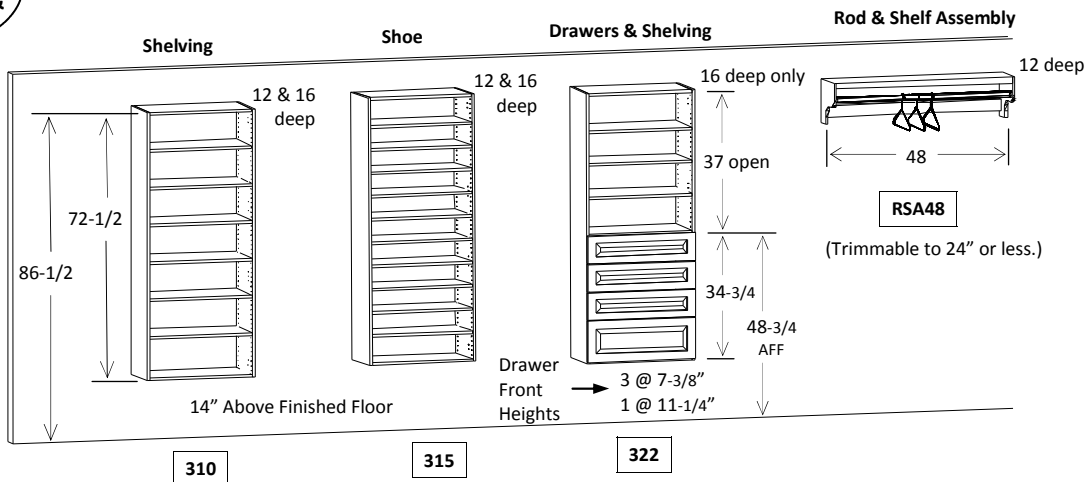
For customized layouts and personalized design service, inquire about our **Gialla Closet** line.

Available in 1 week or less.

(For wall mount cabinets that have hanging sections, clothes will hang below bottom of panel.)

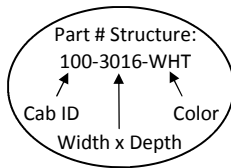


All Wall Mount cabinets are offered in 18", 24", 30", & 36" widths.



All shelves & rods are adjustable.

**Note:** Wall Mount cabinets are great to use where obstructions are present (i.e. baseboard, HVAC, vents, etc.).



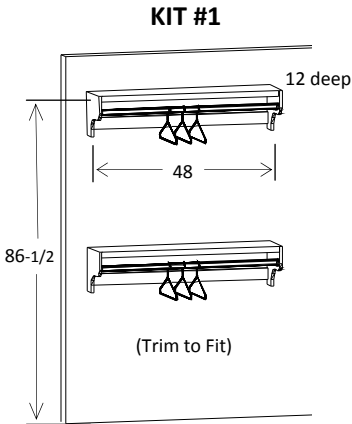
# BE\$T VALUE CLOSETS—QUICK SHEET 12/8/10

All Wall Mount cabinets are offered in 18", 24", 30", & 36" widths.

## SECTION III: WALL MOUNT KITS

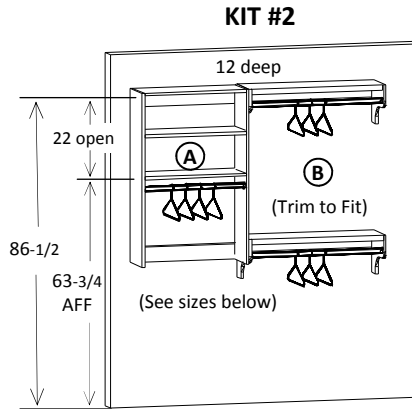
For customized layouts and personalized design service, inquire about our **Gialla Closet** line.

Available in 1 week or less.



**KIT1**

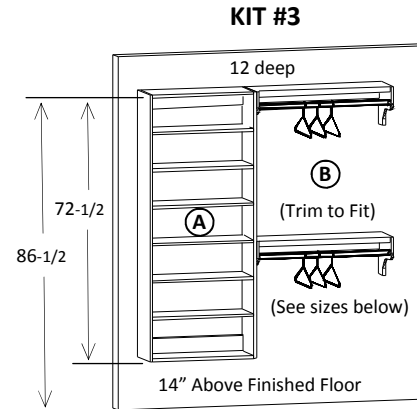
**Kit #1** shipped as:  
(2) rod & shelf assemblies [trimmable to 24" or less]



**Kit #2** shipped as:

- (1) 12" deep long hang & shelving cabinet assembly
- (2) rod & shelf assemblies [trimmable to 24" or less]

Kit Width Range	Section A	Section B	Part #
42 to 66	18	24 to 48	KIT2-18
48 to 72	24		KIT2-24
54 to 78	30		KIT2-30
60 to 84	36		KIT2-36

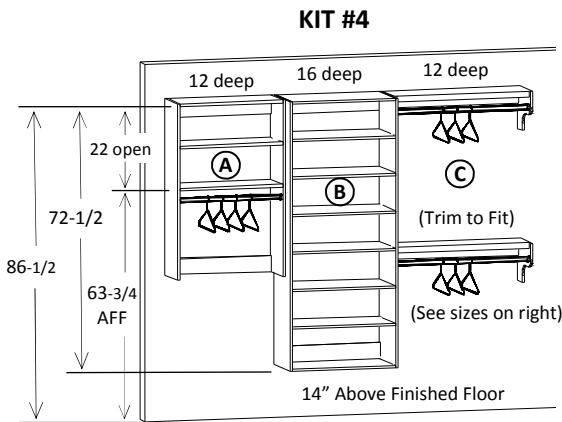


**Kit #3** shipped as:

- (1) 12" deep shelving cabinet assembly—310
- (2) rod & shelf assemblies [trimmable to 24" or less]

Kit Width Range	Section A	Section B	Part #
42 to 66	18	24 to 48	KIT3-18
48 to 72	24		KIT3-24
54 to 78	30		KIT3-30
60 to 84	36		KIT3-36

All kit sections are reversible—cabinets can be place on left or right.



**Kit #4** shipped as:

- (1) 12" deep long hang & shelving cabinet assembly
- (1) 16" deep shelving cabinet assembly—310
- (2) rod & shelf assemblies [trimmable to 24" or less]

All shelves & rods are adjustable.

Kit Width Range	Section A	Section B	Section C	Part #
60 to 84	18	18	24 to 48	KIT4-1818
66 to 90	18	24	24 to 48	KIT4-1824
	24	18		KIT4-2418
72 to 96	18	30	24 to 48	KIT4-1830
	24	24		KIT4-2424
	30	18		KIT4-3018
78 to 102	18	36	24 to 48	KIT4-1836
	24	30		KIT4-2430
	30	24		KIT4-3024
	36	18		KIT4-3618
84 to 108	24	36	24 to 48	KIT4-2436
	30	30		KIT4-3030
	36	24		KIT4-3624
90 to 114	30	36	24 to 48	KIT4-3036
	36	30		KIT4-3630
96 to 120	36	36	24 to 48	KIT4-3636

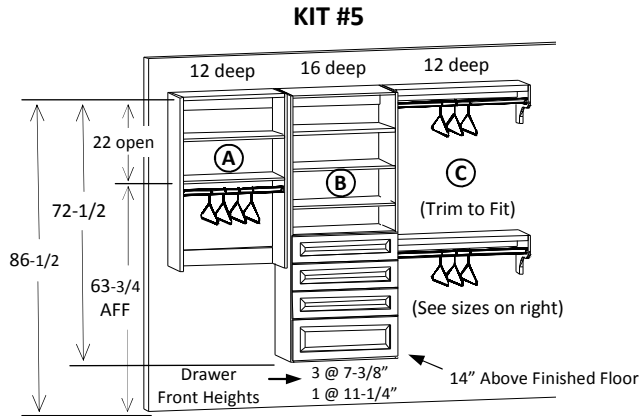
# BE\$T VALUE CLOSETS—QUICK SHEET 12/8/10

All Wall Mount cabinets are offered in 18", 24", 30", & 36" widths.

## SECTION III: WALL MOUNT KITS

For customized layouts and personalized design service, inquire about our **Gialla Closet** line.

Available in 1 week or less.

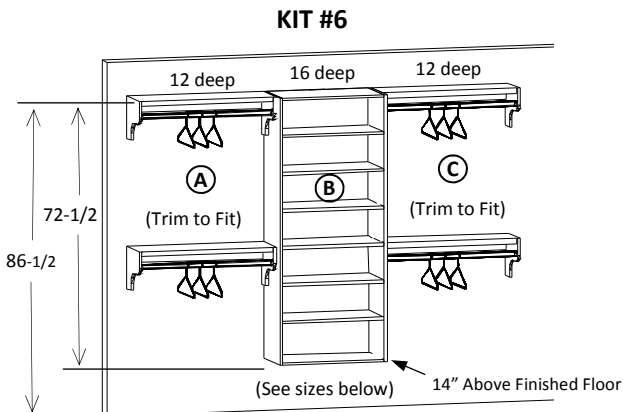


**KIT #5** shipped as:  
 (1) 12" deep long hang & shelving cabinet assembly  
 (1) 16" deep drawers with shelving cabinet assembly—322  
 (2) rod & shelf assemblies [trimmable to 24" or less]

Kit Width Range	Section A	Section B	Section C	Part #
60 to 84	18	18	24 to 48	KIT5-1818
66 to 90	18	24	24 to 48	KIT5-1824
	24	18		KIT5-2418
72 to 96	18	30	24 to 48	KIT5-1830
	24	24		KIT5-2424
	30	18		KIT5-3018
78 to 102	18	36	24 to 48	KIT5-1836
	24	30		KIT5-2430
	30	24		KIT5-3024
	36	18		KIT5-3618
84 to 108	24	36	24 to 48	KIT5-2436
	30	30		KIT5-3030
	36	24		KIT5-3624
90 to 114	30	36	24 to 48	KIT5-3036
	36	30		KIT5-3630
108 to 120	36	36	24 to 48	KIT5-3636

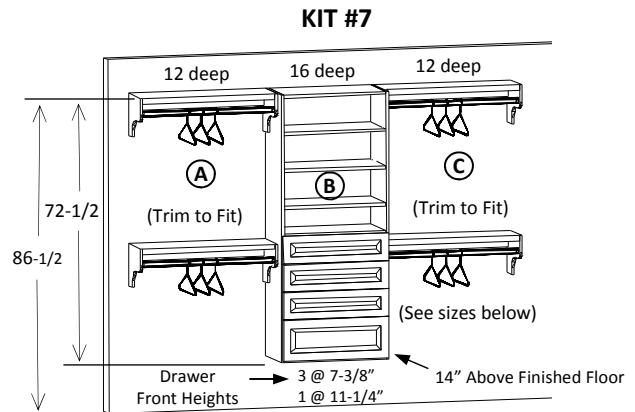
All kit sections are reversible—cabinets can be placed on left or right.

All shelves & rods are adjustable.



**KIT #6** shipped as:  
 (1) 16" deep shelving cabinet assembly—310  
 (4) rod & shelf assemblies [trimmable to 24" or less]

Kit Width Range	Section A	Section B	Section C	Part #
66 to 114	24 to 48	18	24 to 48	KIT6-18
72 to 120		24		KIT6-24
78 to 126		30		KIT6-30
84 to 132		36		KIT6-36



**KIT #7** shipped as:  
 (1) 16" deep drawers & shelving cabinet assembly—322  
 (2) rod & shelf assemblies [trimmable to 24" or less]

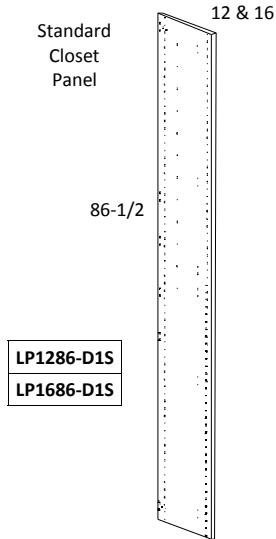
Kit Width Range	Section A	Section B	Section C	Part #
66 to 114	24 to 48	18	24 to 48	KIT7-18
72 to 120		24		KIT7-24
78 to 126		30		KIT7-30
84 to 132		36		KIT7-36

# BE\$T VALUE CLOSETS—QUICK SHEET 12/8/10

## SECTION IV: SHEET GOODS & MOULDINGS

For customized layouts and personalized design service, inquire about our **Gialla Closet** line.

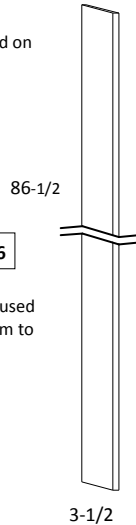
### Line-bore Panels—Drilled 1 Side (D1S)



Standard Closet Panel  
LP1286-D1S  
LP1686-D1S

### 3-1/2" Filler / Cleat

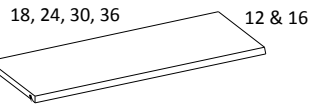
(Edgebanded on all 4 edges.)



F350-86

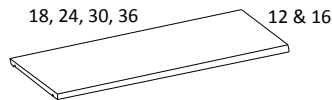
Also can be used as ceiling trim to fill space.

### Fixed Shelves (with cams at each end)



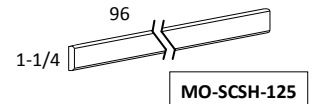
FS1812	FS1816
FS2412	FS2416
FS3012	FS3016
FS3612	FS3616

### Adjustable Shelves



AS1812	AS1816
AS2412	AS2416
AS3012	AS3016
AS3612	AS3616

### 1-1/4" Large Scribe / Shoe

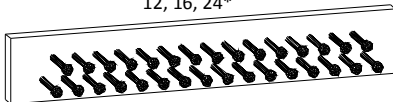


MO-SCSH-125

## SECTION V: ACCESSORIES & HARDWARE

### Tie Rack: Wall-mount & Slide-out

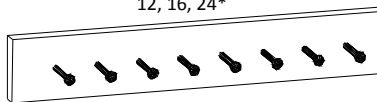
12, 16, 24\*



Wall-mount Part #	Slide-out Part #	# of Hooks
WTR12	STR12	23
WTR16	STR16	31
WTR24	STR24	47

### Belt Rack: Wall-mount & Slide-out

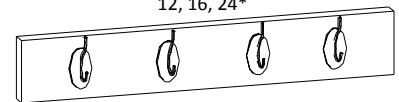
12, 16, 24\*



Wall-mount Part #	Slide-out Part #	# of Hooks
WBR12	SBR12	6
WBR16	SBR16	8
WBR24	SBR24	12

### Robe / Coat Rack: Wall-mount & Slide-out

12, 16, 24\*

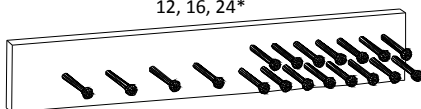


Wall-mount Part #	Slide-out Part #	# of Hooks
WRR12	SRR12	3
WRR16	SRR16	4
WRR24	SRR24	5

\*Actual size of all racks are 1" larger than specified, i.e. 24 = 25". All Wall-mount & Slide-out Racks are available in all colors; pins / hooks are polished chrome.

### Belt & Tie Combo Rack: Wall-mount & Slide-out

12, 16, 24\*



Wall-mount Part #	Slide-out Part #	# of Belt Hooks	# of Tie Hooks
WBTR12	SBTR12	3	11
WBTR16	SBTR16	4	15
WBTR24	SBTR24	6	23

### Acrylic Dividers for Shelf



ASD1208

- Measures 12" deep x 8" high.
- For use on 12" & 16" deep shelves.

### Color Sticks



CLRSTK

### Accuride Type Full-Extension Soft-close 16" Drawer Slides



HW-SFXA16S

# BE\$T VALUE CLOSETS—QUICK SHEET 12/8/10

## SECTION V: ACCESSORIES & HARDWARE

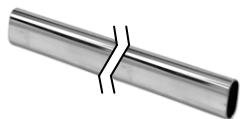
For customized layouts and personalized design service, inquire about our **Gialla Closet** line.

**Closet Rod Bracket for Oval rod**  
(Polished Chrome finished)



HW-BRKT-CRO-PC

**Oval Rod—8' length**  
(Polished Chrome finish)



RODO96-PC

**Rod Cup for DIY**  
(1 pair per pack)



HW-RCUPD

**Rod Cup for System hole**  
(1 pair per pack)



HW-RCUPS

**Rod & Cups Kits (for system holes)**  
(for use in 18", 24", 30", & 36" width cabinets)

Width	Part #
18	RCKIT18
24	RCKIT24
30	RCKIT30
36	RCKIT36

**Shelf Pins—Spoon-shaped**  
(20 per pack)



HW-MSPS

**L-Bracket**



HW-BRKT-L

**1-3/8" Cabinet Connector Screws**  
(20 per pack)



HW-MCS137

**2-1/2" Installation Screws**  
(20 per pack)



HW-MIS250

**Fast Cap Stickers**  
(14 covers per sheet)



HW-MFCS

For those who install with sheet rock screws, use these to cover screws.

# BE\$T VALUE CLOSETS—QUICK SHEET 12/8/10

## SECTION VI: CLOSET CONFIGURATION EXAMPLES

For customized layouts and personalized design service, inquire about our **Gialla Closet** line.

### Closet Design—General Rules of Thumb:

- Tall hanging should average about 20% of overall hanging space.
- For all hanging, allow 24" of depth for clearance (after clothes are hung).
- In 90° corners with hanging, use largest cabinet width possible (i.e. 36" wide).
- In 90° corners, have 1 wall hanging & adjacent wall either drawers or shelving.
- Men's shoes require about 10" of shelf space width & women's shoes require about 8" of shelf space width.
- Most people forget to add the essentials; every closet should have a valet rod & a tie rack and/or belt rack.

### Cautions:

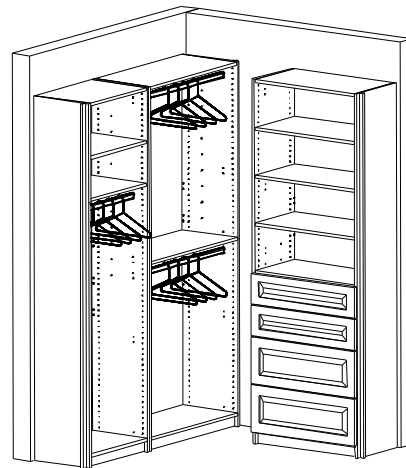
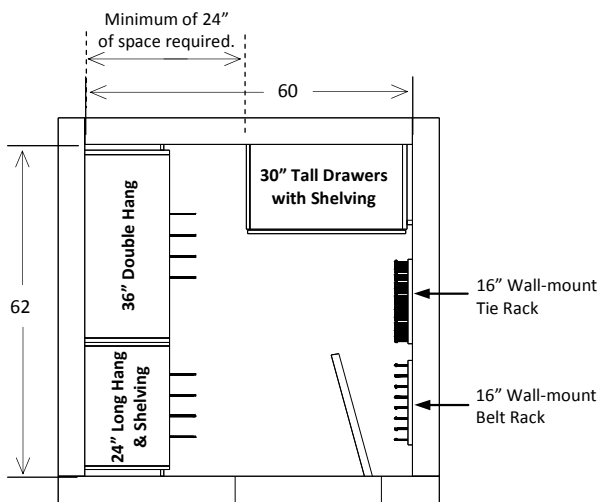
- Check door swing for clearance.
- Look for obstructions on wall (i.e. light switches, receptacles, plumbing access, HVAC vents, etc.).
- For reach-in closets, insure that drawers bypass jamb walls.
- When placing cabinets with drawers against walls, filler may be required for drawers to clear baseboard and/or casing.

### Clothes Hanging Space Heights:

(from top of rod to top of shelf underneath clothing)

- Single hang [in double hang section—i.e. shirts & blouses] 37-1/2" to 41-1/2"
- Long hang [i.e. long skirts, short dresses, & slacks hung by cuff] 52-1/2" to 57-1/2"
- Extra long hang [long dresses] 67-1/2" to 71-1/2"

### EXAMPLE OF WALK-IN TYPE CLOSET



### EXAMPLE OF REACH-IN TYPE CLOSET

