

Dave's Mantles

421-DAVE(3283)

May 2009



Biltmore Elliptical

Paint Grade,
Yellow Pine and Oak Mantles.
Other species available.



Raised Panel



T.V. Cabinet

Order
custom bookcases with
your mantle.

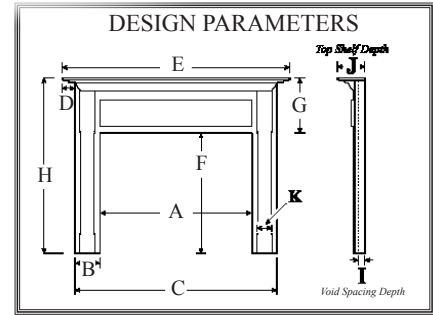
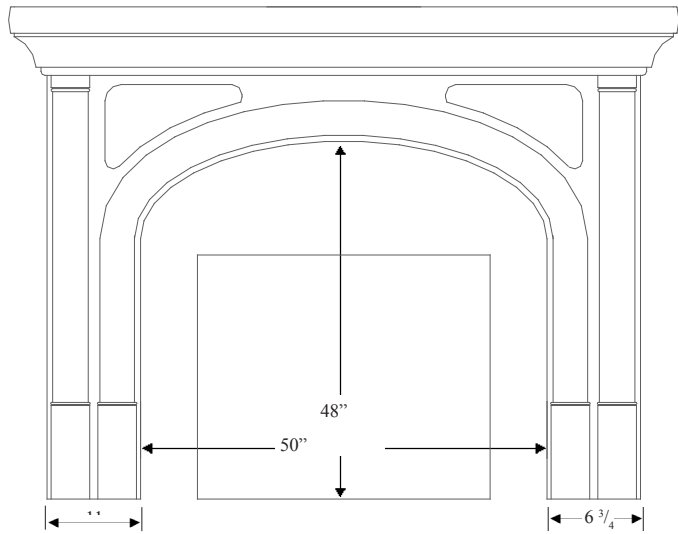
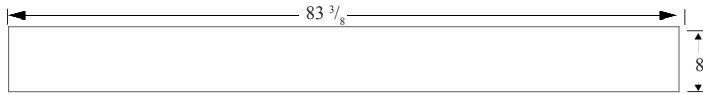
TABLE OF CONTENTS

I. Legged Mantles.....	2	I. Legged Mantles.....	3	I. Legged Mantles.....	4
I. Legged Mantles.....	5	I. Legged Mantles.....	6	I. Legged Mantles.....	7
I. Legged Mantles.....	8	II. Components for Mantles.....	9	II. Components for Mantles.....	10
II. Components for Mantles.....	11	II. Components for Mantles.....	12	III. Shelf Mantles.....	13
III. Shelf Mantles.....	14	IV. Overmantle Facades.....	15	V. Endwall Applications.....	16
VI Measuring Information.....	17	VII. Legged Mantle Ordering Form.....	18	VII. Terms and Definitions.....	19

132 WOODWORKERS COURT., CHESAPEAKE, VA 23322
(757) 421-3283 FAX (757) 421-4252

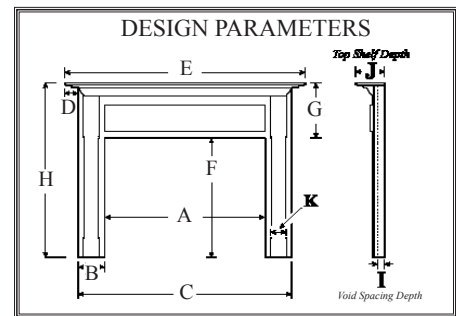
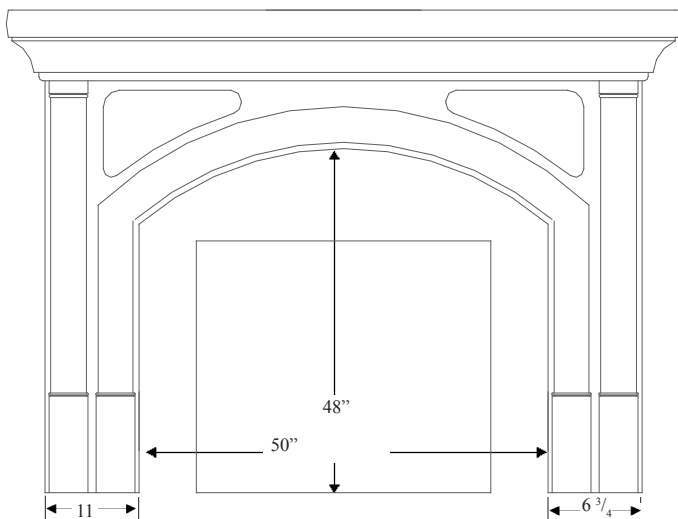
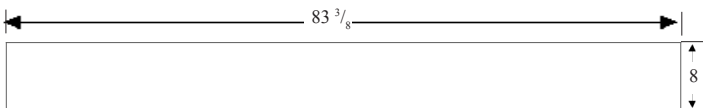
I. Legged Mantles

PHILLIPS ELLIPTICAL Part Number - LM PHEL



Option List	Standard	Custom
A Opening Width	50	Any
B Leg Back Plate	11	Fixed
C Leg to Leg Width $A+(2xB)=C$	72	Linked A
D Shelf Side O/H	$5 \frac{11}{16}$	$5 \frac{11}{16}$ or 0
E Top Shelf Width O. $A C+(2xD)+E$	$83 \frac{3}{8}$	Linked A
F Opening Height	48	Any
G Breast Height	$16 \frac{7}{16}$	Fixed
H O.A. Height $F+G=H$	$64 \frac{7}{16}$	Linked B
I Void Spacing Depth	1	Any
J Top Shelf Dept	8	Linked I
K Leg Facade Width	$4 \frac{1}{4}$	Fixed
Left Side Overhang Std or Butt	S	S and B
Right Side Overhang Std or Butt	S	S and B

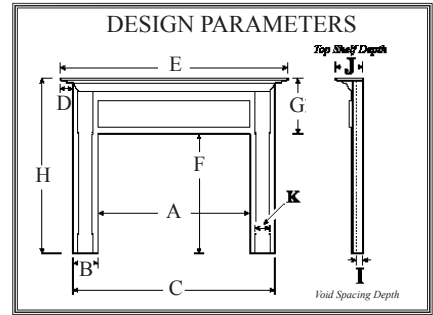
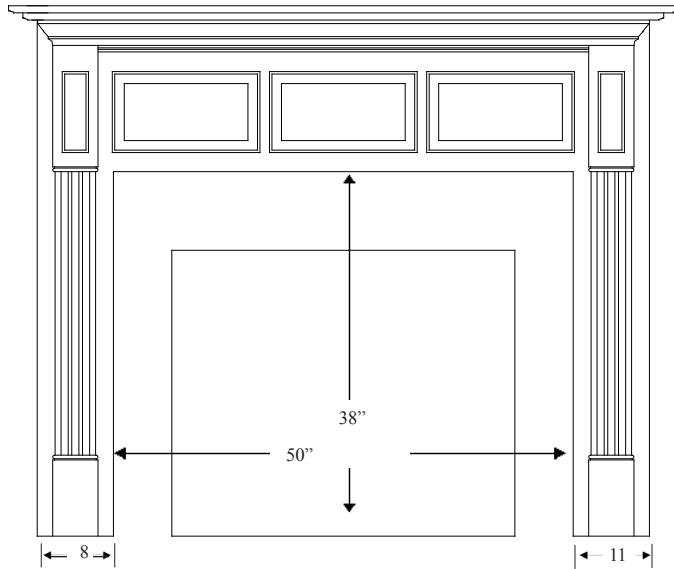
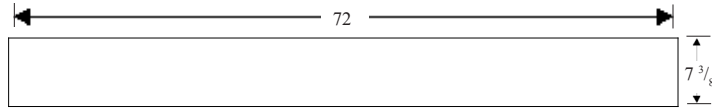
PHILLIPS EYEBROW Part Number - LM PHEY



Option List	Standard	Custom
A Opening Width	50	Any
B Leg Back Plate	11	Fixed
C Leg to Leg Width $A+(2xB)=C$	72	Linked A
D Shelf Side O/H	$5 \frac{11}{16}$	$5 \frac{11}{16}$ or 0
E Top Shelf Width O. $A C+(2xD)+E$	$83 \frac{3}{8}$	Linked A
F Opening Height	48	Any
G Breast Height	$16 \frac{7}{16}$	Fixed
H O.A. Height $F+G=H$	$64 \frac{7}{16}$	Linked B
I Void Spacing Depth	1	Any
J Top Shelf Dept	8	Linked I
K Leg Facade Width	$4 \frac{1}{4}$	Fixed
Left Side Overhang Std or Butt	S	S and B
Right Side Overhang Std or Butt	S	S and B

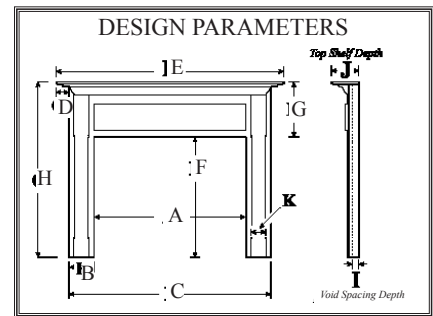
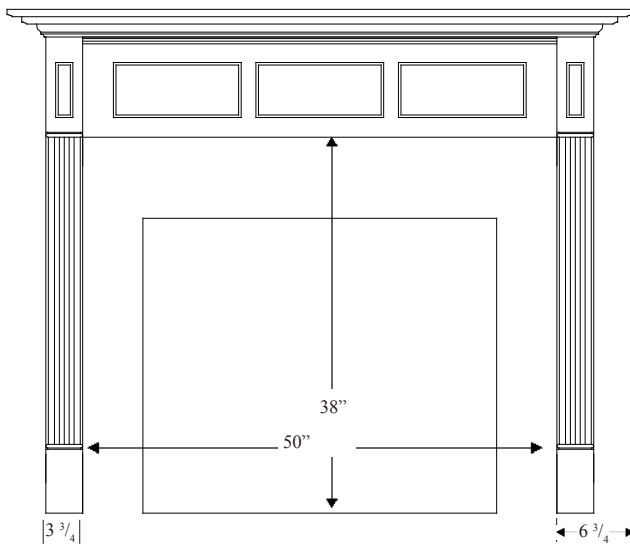
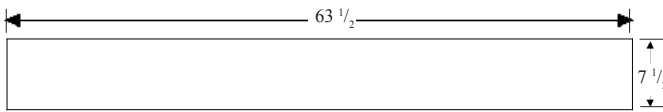
I. Legged Mantles

LAWSON A
Part Number - LM LAA



Option List	Standard	Custom
A Opening Width	50	Any
B Leg Back Plate	8	Fixed
C Leg to Leg Width $A+(2xB)=C$	66	Linked A
D Shelf Side O/H	3	3 or 0
E Top Shelf Width O. $A C+(2xD)+E$	72	Linked A
F Opening Height	38	Any
G Breast Height	17 1/2	Fixed
H O.A. Height $F+G=H$	55 1/2	Linked B
I Void Spacing Depth	1	Any
J Top Shelf Dept	7 1/4	Linked I
K Leg Facade Width	4 1/4	3 1/4, 4 1/4, 5 1/4 or 7"
Left Side Overhang Std or Butt	S	S and B
Right Side Overhang Std or Butt	S	S and B

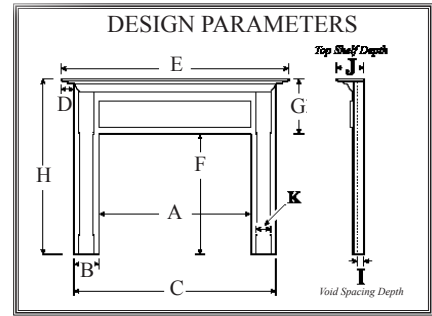
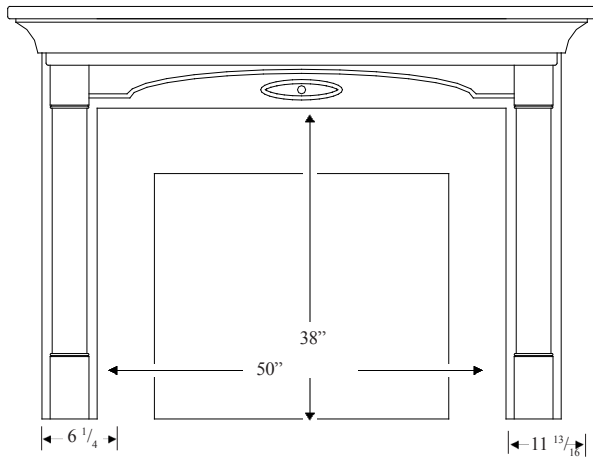
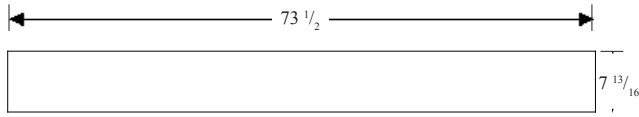
LAWSON B
Part Number - LM LAB



Option List	Standard	Custom
A Opening Width	50	Any
B Leg Back Plate	3 3/4	Fixed
C Leg to Leg Width $A+(2xB)=C$	57 1/2	Linked A
D Shelf Side O/H	3	5 1/16 or 0
E Top Shelf Width O. $A C+(2xD)+E$	72	Linked A
F Opening Height	38	Any
G Breast Height	13	Any
H O.A. Height $F+G=H$	51	Linked B
I Void Spacing Depth	1	Any
J Top Shelf Dept	7 1/4	Linked I
K Leg Facade Width	3 3/4	Fixed
Left Side Overhang Std or Butt	S	S and B
Right Side Overhang Std or Butt	S	S and B

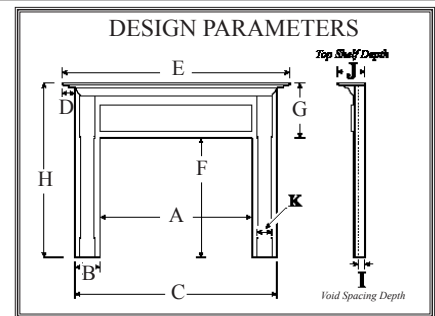
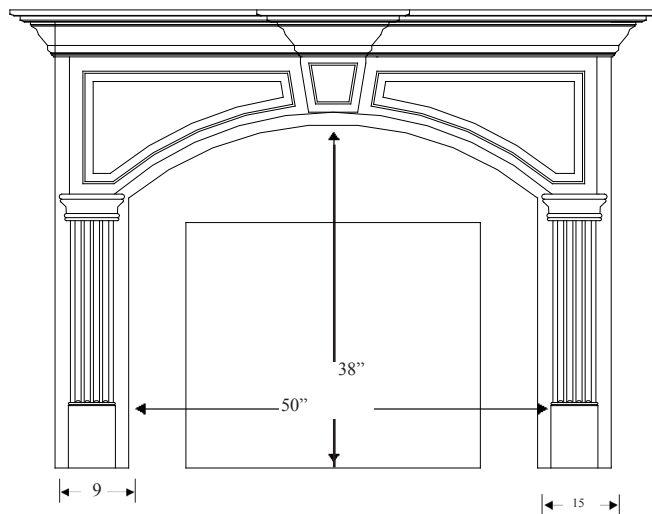
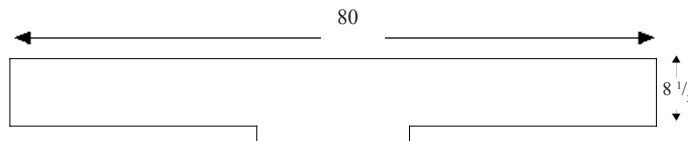
I. Legged Mantles

DOUGLAS Part Number - LM DOU



Option List	Standard	Custom
A Opening Width	50	Any
B Leg Back Plate	3 3/4	Fixed
C Leg to Leg Width $A+(2xB)=C$	63 1/2	Linked A
D Shelf Side O/H	4 11/16	5 13/16 or 0
E Top Shelf Width O. $A C+(2xD)+E$	73 3/8	Linked A
F Opening Height	38	Any
G Breast Height	12 11/16	Fixed
H O.A. Height $F+G=H$	50 11/16	Linked B
I Void Spacing Depth	1	Any
J Top Shelf Dept	7 7/16	Linked I
K Leg Facade Width	4 1/4	3 1/4, 4 1/4, or 5 1/4
Left Side Overhang Std or Butt	S	S and B
Right Side Overhang Std or Butt	S	S and B

EYEBROW BILTMORE Part Number - LM BIEY

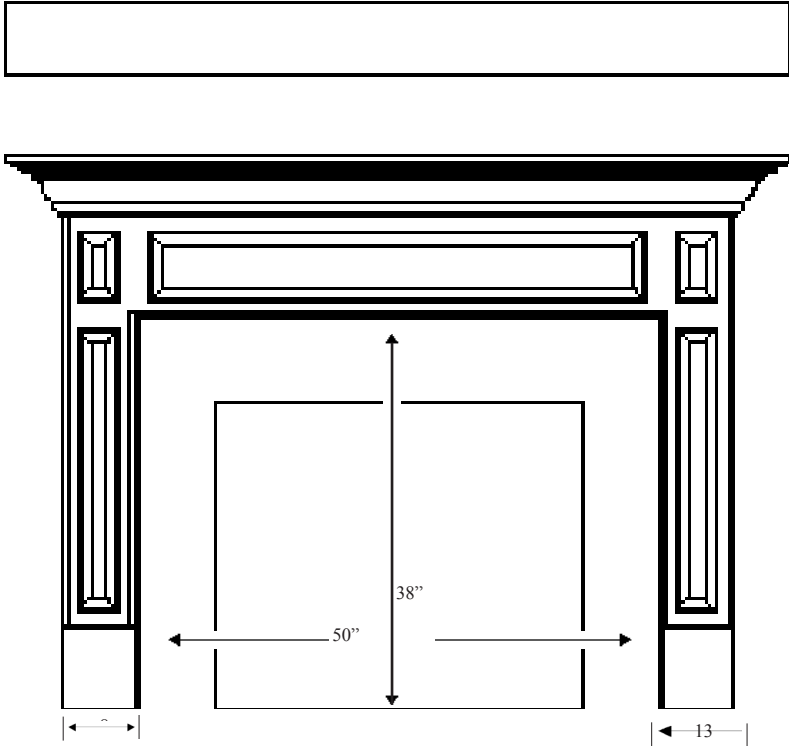
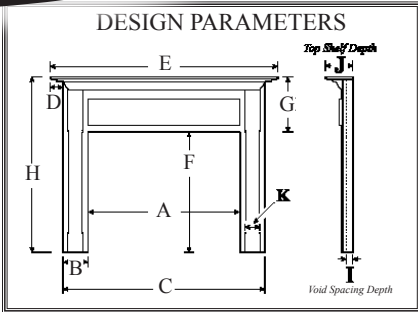


Option List	Standard	Custom
A Opening Width	50	Any
B Leg Back Plate	9	Any
C Leg to Leg Width $A+(2xB)=C$	68	Linked A&E
D Shelf Side O/H	6	6 or 0
E Top Shelf Width O. $A C+(2xD)+E$	80	Linked A
F Opening Height	42	Any
G Breast Height	15	Fixed
H O.A. Height $F+G=H$	57	Linked B
I Void Spacing Depth	1	Any
J Top Shelf Dept	8 1/2 10	Linked I
K Leg Facade Width	5 1/4	3 1/4, 4 1/4, 5 1/4 or 7
Left Side Overhang Std or Butt	S	S and B
Right Side Overhang Std or Butt	S	S and B

I. Legged Mantles

BRANTLEY
Part Number - LM BRA

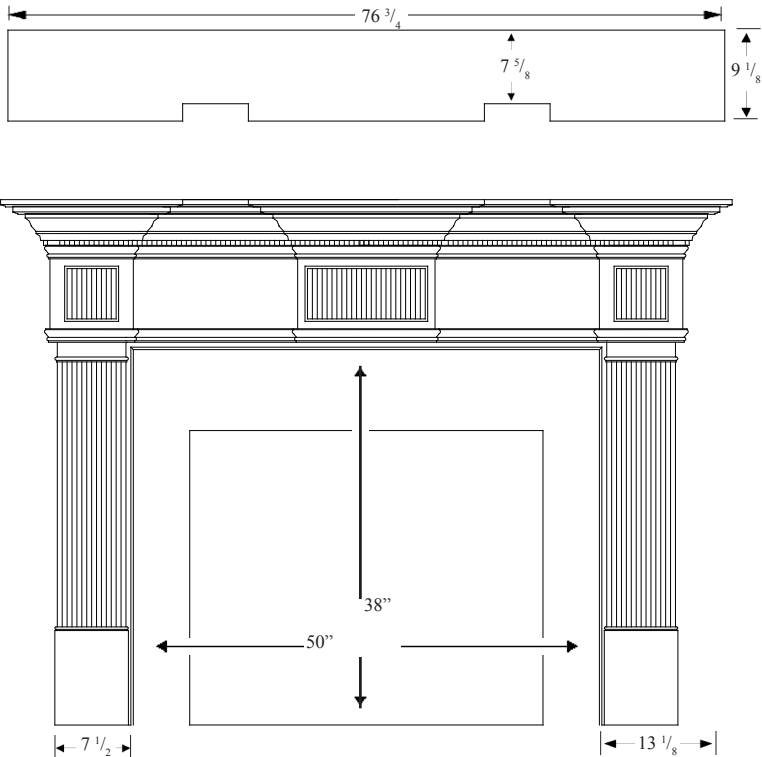
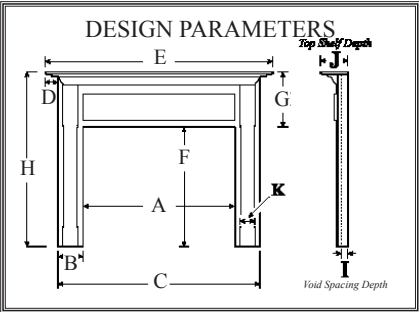
Raised Panel Returns
are optional if Facing Void
Depth exceeds 5"



Option List	Standard	Custom
A Opening Width	50	Any
B Leg Back Plate	8	Any
C Leg to Leg Width $A+(2xB)=C$	66	Linked A&E
D Shelf Side O/H	5	$5 \frac{13}{16}$ or 0
E Top Shelf Width O. $A C+(2xD)+E$	76	Linked A
F Opening Height	38	Any
G Breast Height	$15 \frac{5}{8}$	Any
H O.A. Height $F+G=H$	$53 \frac{5}{8}$	Linked B
I Void Spacing Depth	1	Any
J Top Shelf Dept	$7 \frac{1}{2}$	Linked I
K Leg Facade Width	7	Linked E
Left Side Overhang Std or Butt	S	S and B
Right Side Overhang Std or Butt	S	S and B

BREAKFRONT
Part Number - LM BRE

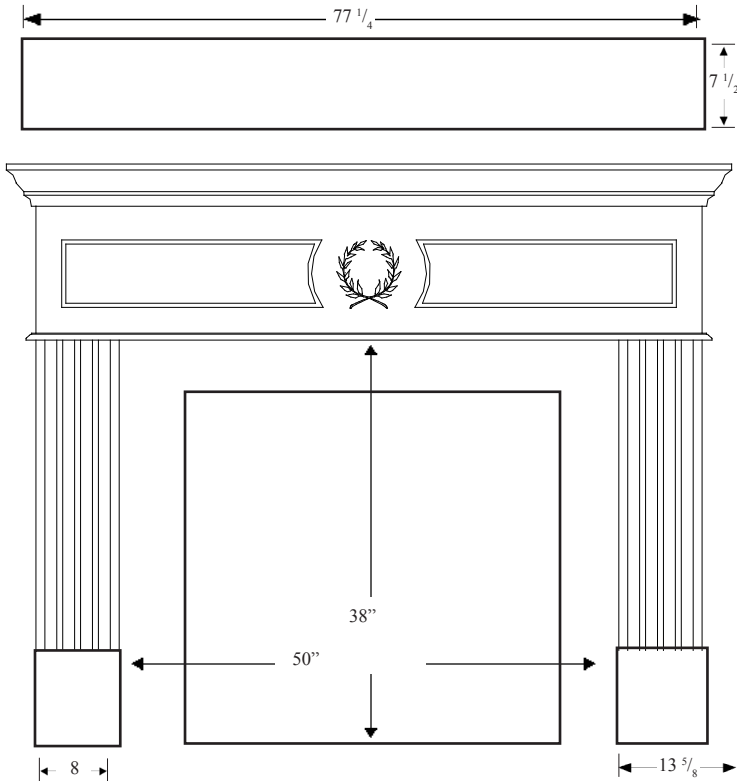
Raised Panel Returns
are optional if Facing Void
Depth exceeds 5"



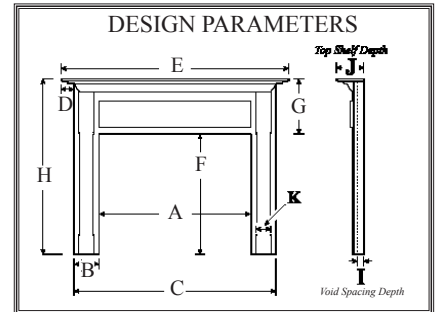
Option List	Standard	Custom
A Opening Width	50	Any
B Leg Back Plate	$7 \frac{1}{2}$	5
C Leg to Leg Width $A+(2xB)=C$	65	Linked A&E
D Shelf Side O/H	$5 \frac{7}{8}$	$5 \frac{7}{8}$ or 0"
E Top Shelf Width O. $A C+(2xD)+E$	$76 \frac{3}{4}$	Linked A
F Opening Height	38	Any
G Breast Height	15	Any
H O.A. Height $F+G=H$	53	Linked B
I Void Spacing Depth	1	Any
J Top Shelf Dept	$7 \frac{5}{8}$ or $9 \frac{1}{8}$	Linked I
K Leg Facade Width	7	Linked E
Left Side Overhang Std or Butt	S	S and B
Right Side Overhang Std or Butt	S	S and B

I. Legged Mantles

CARVED FRIEZE (Crested Option Shown)
Part Number - LM CF (OPTION)



(Custom size double check #2 not accurate)

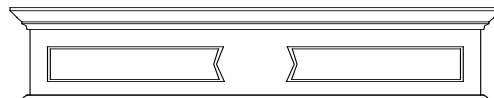


Option List	Standard	Custom
A Opening Width	50	Any
B Leg Back Plate	8	Any
C Leg to Leg Width $A+(2xB)=C$	66	Linked A&E
D Shelf Side O/H	5 5/8	5 5/8 or 0"
E Top Shelf Width $O.A.C+(2xD)+E$	77 1/4	Linked A
F Opening Height	38	Any
G Breast Height	14	Fixed
H O.A. Height $F+G=H$	52	Linked B
I Void Spacing Depth	1	Any
J Top Shelf Dept	7 3/8	Linked I
K Leg Facade Width	7	3 1/4, 4 1/4, 5 1/4 or 7
Left Side Overhang Std or Butt	S	S and B
Right Side Overhang Std or Butt	S	S and B

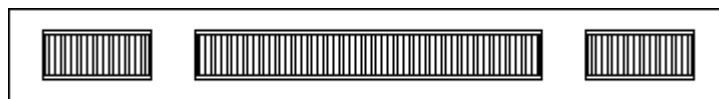
CARVED FRIEZE MANTLE OPTIONS



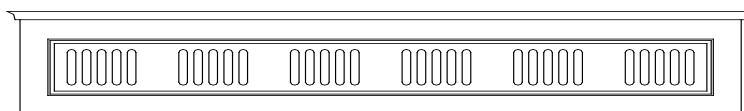
Crested Option (Shown)
Use Part# Add On - CR



Crescent Option
Use Part# Add On - CS



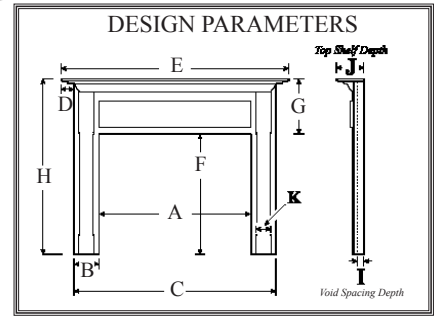
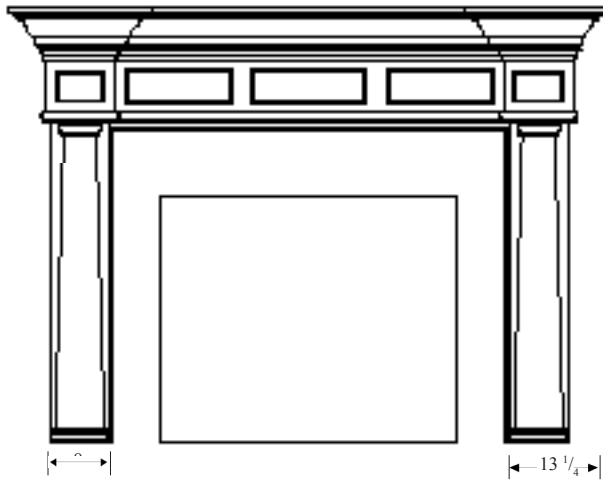
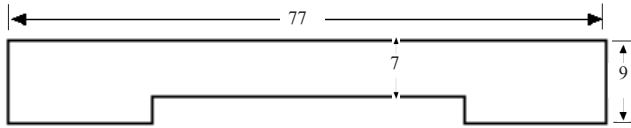
Reeded Option
Use Part# Add On - RE



Fluted Option
Use Part# Add On - FL

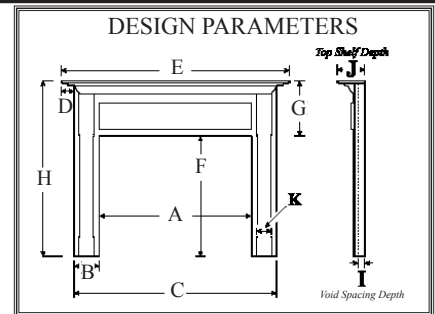
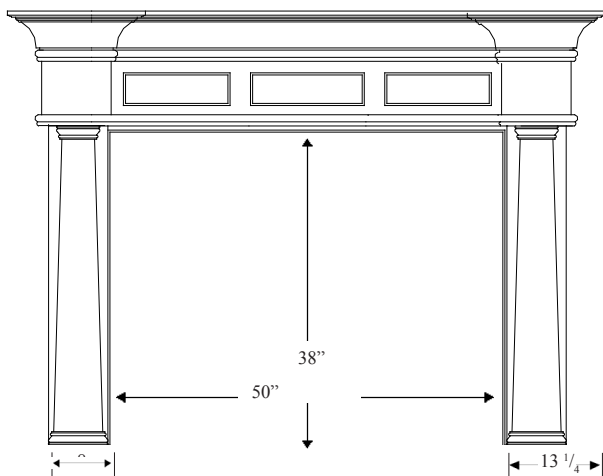
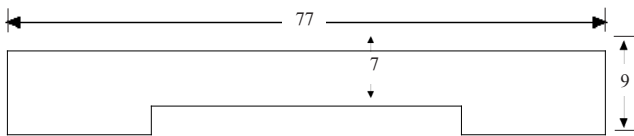
I. Legged Mantles

LINTEL "A"
Part Number - LM LIA



Option List	Standard	Custom
A Opening Width	50	Any
B Leg Back Plate	8 1/4	Fixed
C Leg to Leg Width $A+(2xB)=C$	66	Linked A
D Shelf Side O/H	5 1/4	5 1/4 or 0"
E Top Shelf Width O. $A C+(2xD)+E$	77	Linked A
F Opening Height	38	Any
G Breast Height	15	Any
H O.A. Height $F+G=H$	53	Linked B
I Void Spacing Depth	1	Any
J Top Shelf Dept	7 or 10	Linked I
K Leg Facade Width	6	Fixed
Left Side Overhang Std or Butt	S	S and B
Right Side Overhang Std or Butt	S	S and B

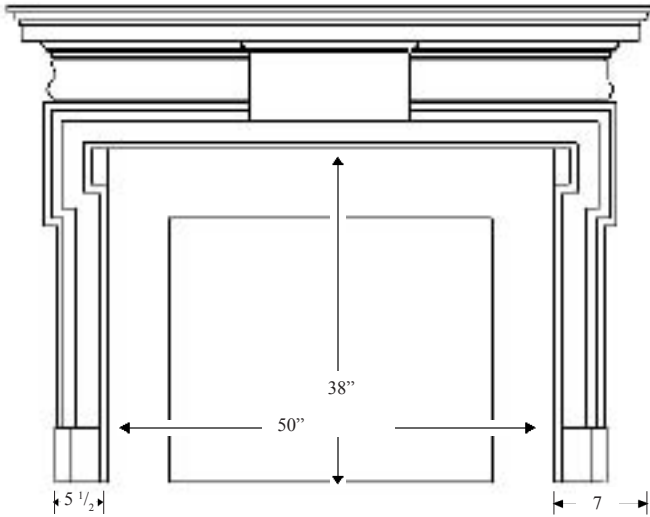
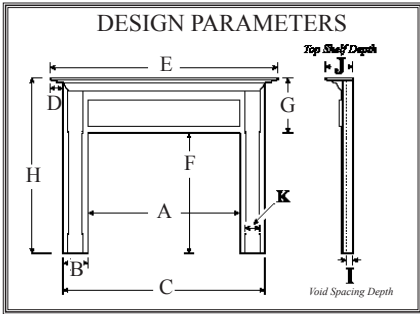
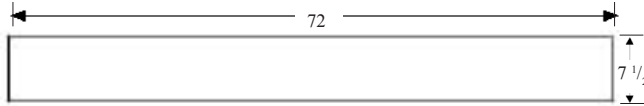
LINTEL "B"
Part Number - LM LIB



Option List	Standard	Custom
A Opening Width	50	Any
B Leg Back Plate	11	Fixed
C Leg to Leg Width $A+(2xB)=C$	72	Linked A
D Shelf Side O/H	5 11/16	5 11/16 or 0"
E Top Shelf Width O. $A C+(2xD)+E$	83 3/8	Linked A
F Opening Height	48	Any
G Breast Height	16 7/16	Fixed
H O.A. Height $F+G=H$	64 7/16	Linked B
I Void Spacing Depth	1	Any
J Top Shelf Dept	8	Linked I
K Leg Facade Width	4 1/4	Fixed
Left Side Overhang Std or Butt	S	S and B
Right Side Overhang Std or Butt	S	S and B

I. Legged Mantles

MOUNT VERNON
Part Number - LM MTV



Option List	Standard	Custom
A Opening Width	50	Any
B Leg Back Plate	5 1/2	Any
C Leg to Leg Width $A+(2xB)=C$	64	Linked A&E
D Shelf Side O/H	4 3/4	Fixed
E Top Shelf Width O. $A C+(2xD)+E$	72	Linked A
F Opening Height	38	Any
G Breast Height	16	Fixed
H O.A. Height $F+G=H$	54 1/2	Linked B
I Void Spacing Depth	1	Any
J Top Shelf Dept	7 1/2	Linked I
K Leg Facade Width	0	N/A
Left Side Overhang Std or Butt	S	S and B
Right Side Overhang Std or Butt	S	S and B

WILL BE
ADDED AT
A
FUTURE DATE

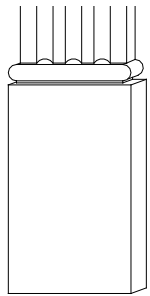
II. Components for Mantles

Available in Yellow Pine & Primed HDF

27F

Colonial Plinth Block

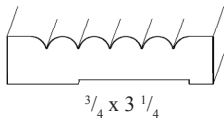
*PLI 275C thru 750C



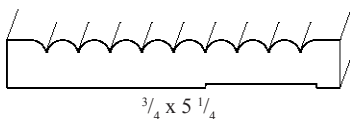
1" thick
 2 3/4" wide = 6" tall
 3 3/4" wide = 7" tall
 4 3/4" wide = 8" tall
 5 3/4" wide = 9" tall
 7 1/2" wide = 10" tall

REEDED CASING

3 1/4" Reeded Casing
 YP CA 30R

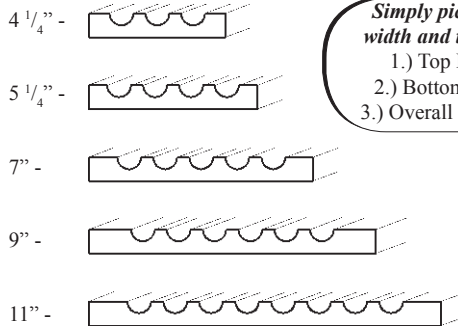


5 1/4" Reeded Casing
 CA 40R



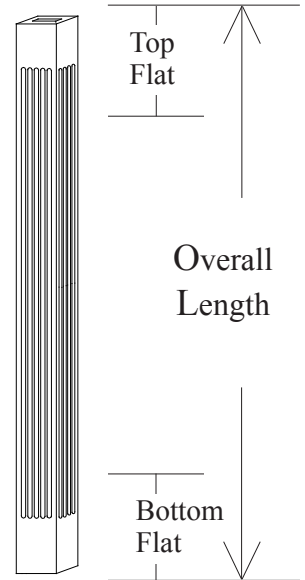
CUSTOM START N' STOP FLUTING 4D

Available Widths



Simply pick the width and tell us:
 1.) Top Flat
 2.) Bottom Flat
 3.) Overall Length

Lengths up to 12'



Part #'s for ordering Custom Start N' Stop Fluting			
Width	Lengths up to 4'	Lengths up to 8'	Lengths up to 12'
4 1/4"	CSS 4 4	CSS 4 8	CSS 4 12
5 1/4"	CSS 5 4	CSS 5 8	CSS 5 12
7"	CSS 7 4	CSS 7 8	CSS 7 12
9"	CSS 9 4	CSS 9 8	CSS 9 12
11"	CSS 11 4	CSS 11 8	CSS 11 12

Internal Pricing Information:
 Fluting labor charges for custom width, non-standard species, etc., use Part # ML SS.

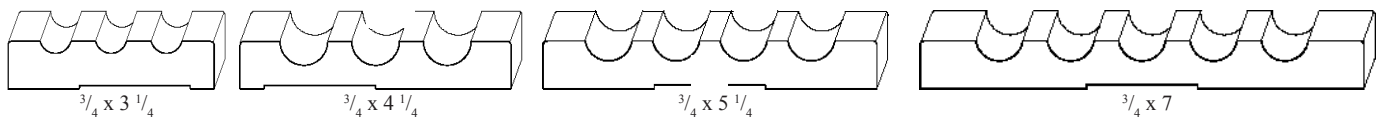
FLUTED CASING

15B

3 1/4" Fluted
 YP CA 30F

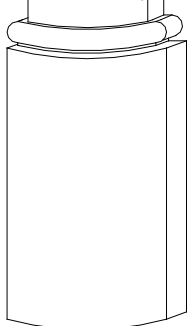
4 1/4" Fluted
 CA 40F

5 1/4" Fluted
 CA 50F



Radius Plinth - For use with Mantle Moulds & Bilexin

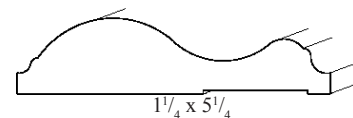
*PLI 375M, 475M 575M



3 3/4" = 8" tall - 1" thick
 4 3/4" = 8" tall - 1 1/4" thick
 5 3/4" = 8" tall - 1 1/2" thick

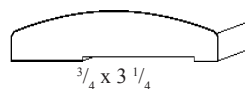
Available in Yellow Pine, Primed HDF or Oak

BILEXIN MOULD

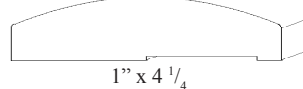


BLX 50

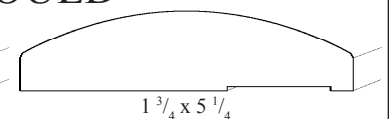
SOFTLINE MOULD 4D



CA 30MT



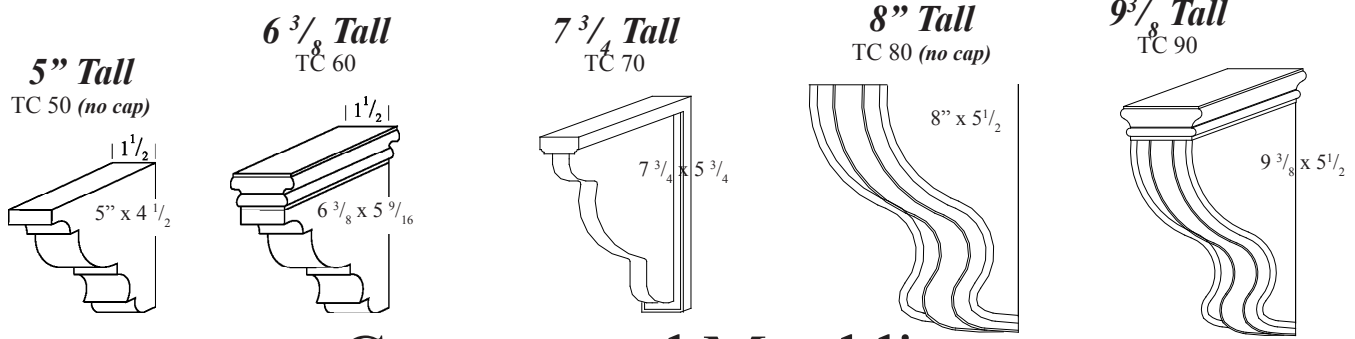
CA 40MT



CA 50MT

Available in
Paint Grade,
Yellow Pine
& Oak

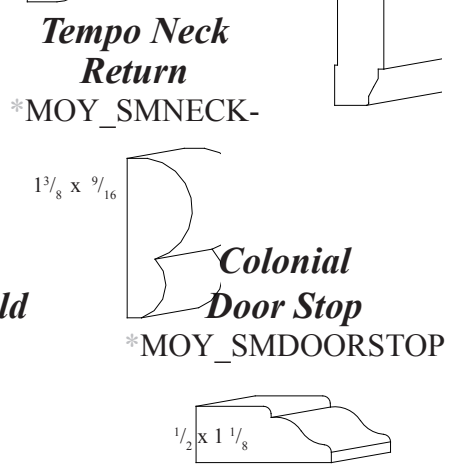
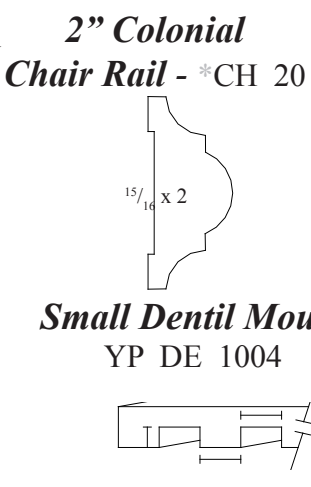
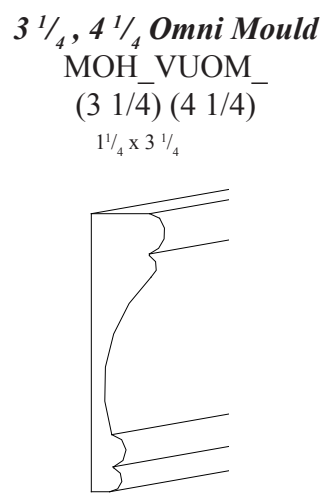
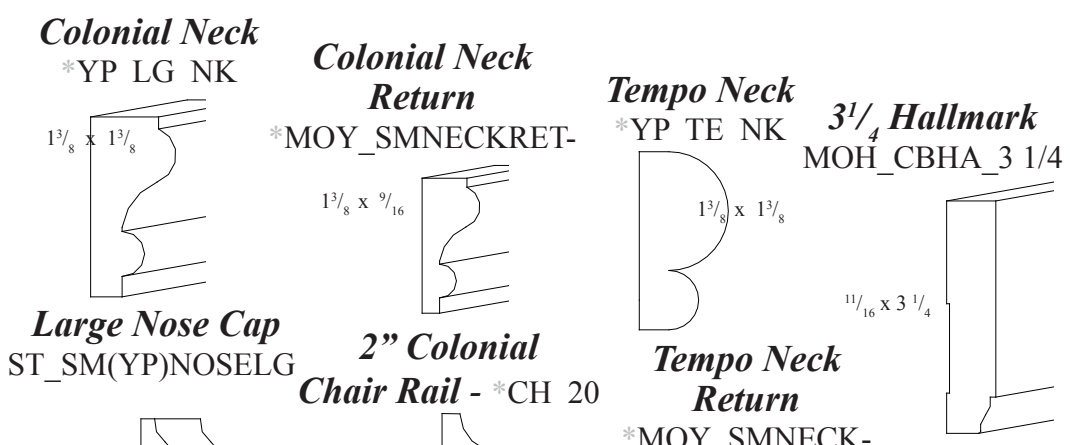
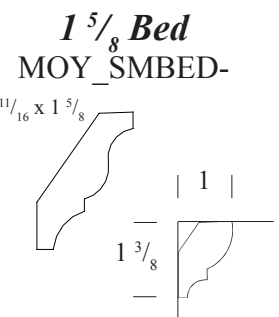
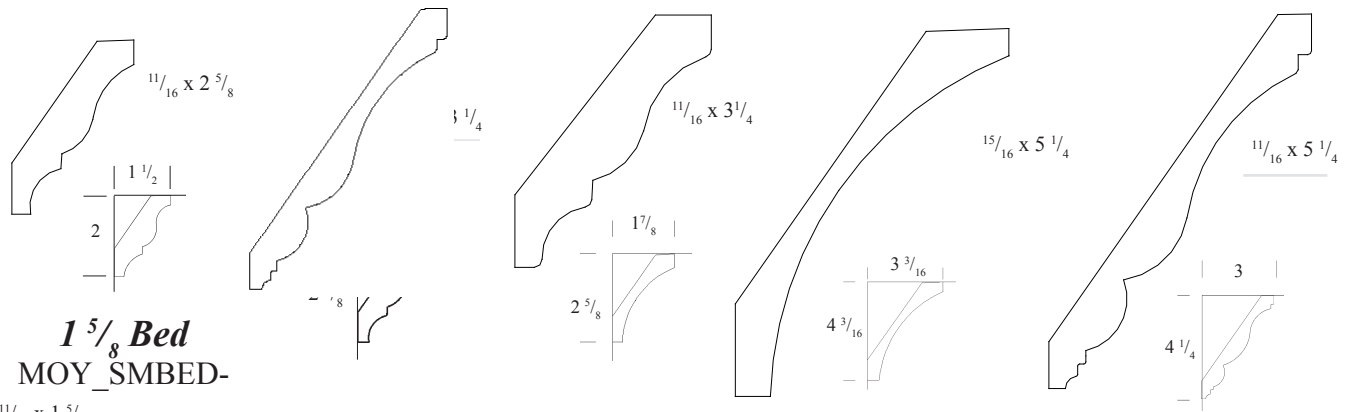
II. Components for Mantles



Crowns and Mouldings are shown at 50% of actual size.

Crowns and Mouldings

- 2 5/8" Colonial** MOJ_CRWM49
- 3 1/4" Colonial** *MO(H)_CRCO_3 1/4
- 3 1/4" Cove Crown** MO(H)_CRCV_31/4
- 5 1/4" Cove Crown** MO(H)_CRCV_51/4
- 5 1/4" Beaded Crown** MO(H)_CRBD_5 1/4



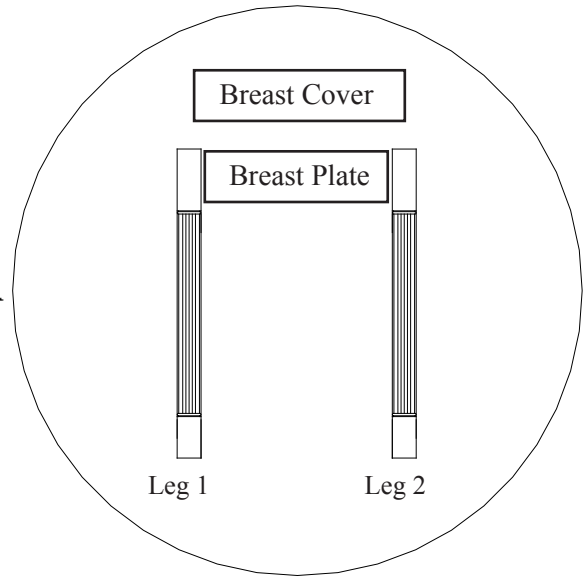
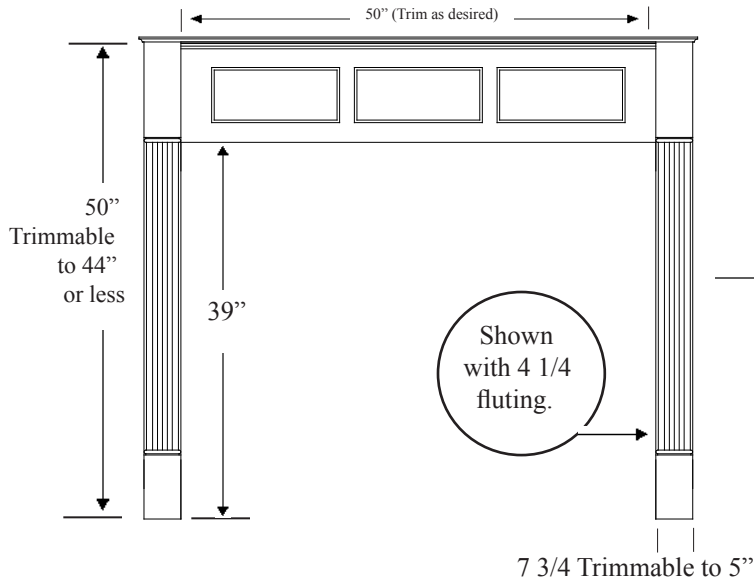
II. Components for Mantles

Adjustable Surround Kits

KIT 1

Part # SK1

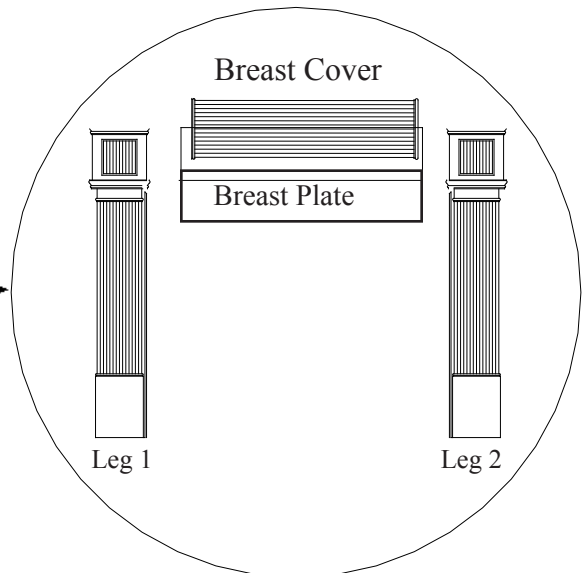
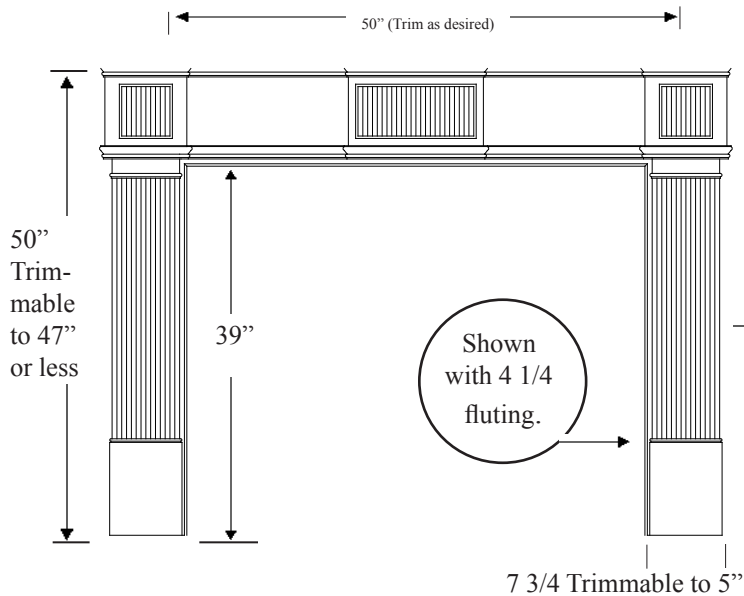
COMPONENTS (as shipped)



KIT 2

Part # SK2

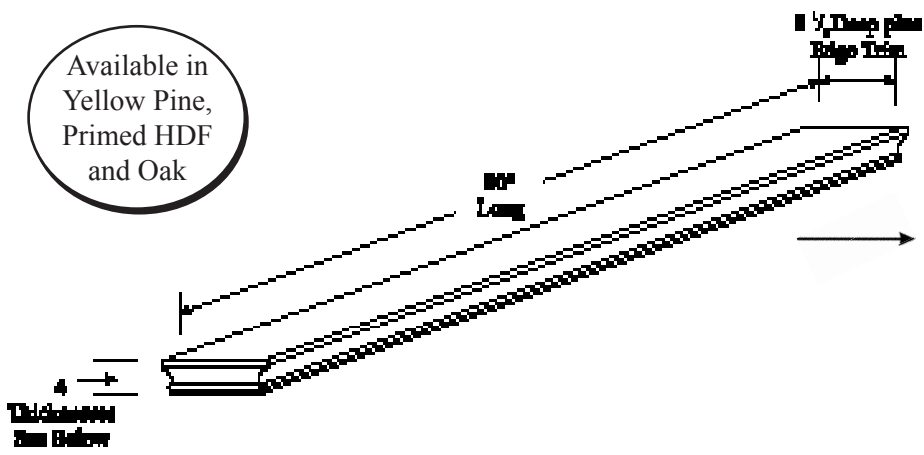
COMPONENTS (as shipped)



II. Components for Mantles

Trimmable Shelf Kits

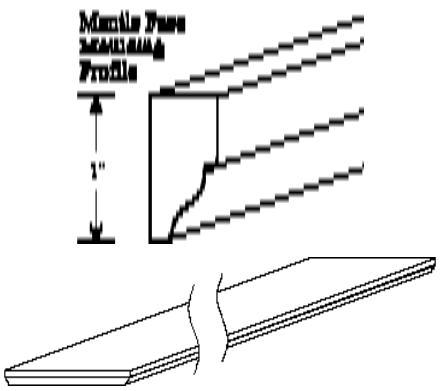
Available in
Yellow Pine,
Primed HDF
and Oak



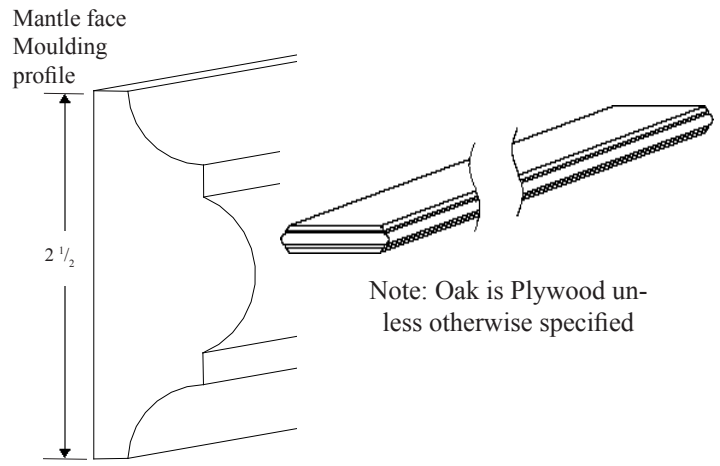
COMPONENTS (as shipped)



1" Trimmable Shelf Kit
P/N SK100

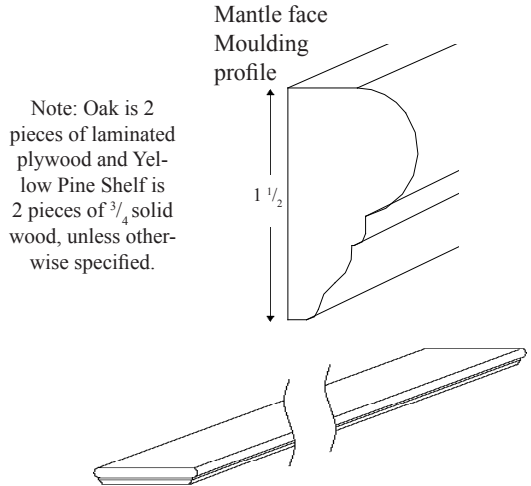


2 1/2" Trimmable Shelf Kit
P/N SK250



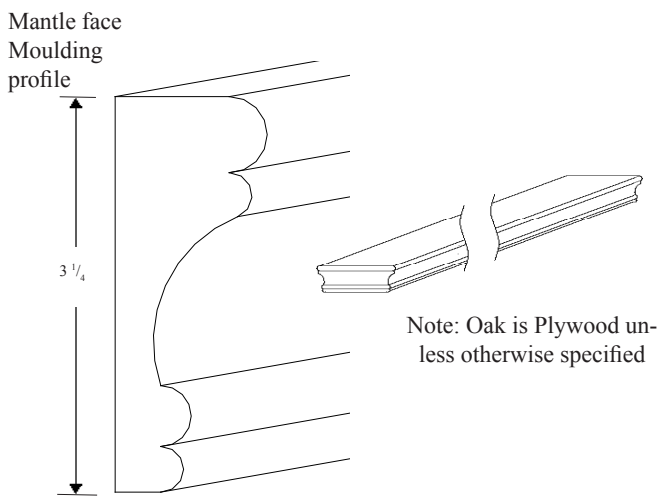
Note: Oak is Plywood unless otherwise specified

1 1/2" Trimmable Shelf Kit
P/N SK150



Note: Oak is 2 pieces of laminated plywood and Yellow Pine Shelf is 2 pieces of 3/4 solid wood, unless otherwise specified.

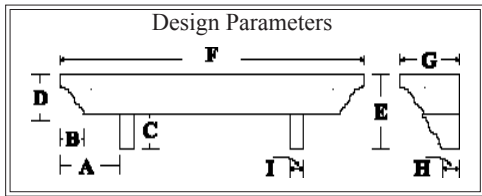
3 1/4", 4 1/4" Trimmable Shelf Kit
P/N SK325



Note: Oak is Plywood unless otherwise specified

III. Shelf Mantles

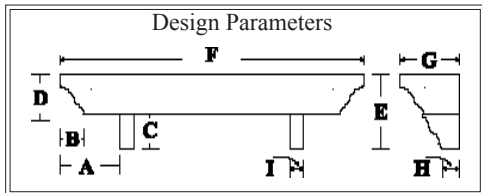
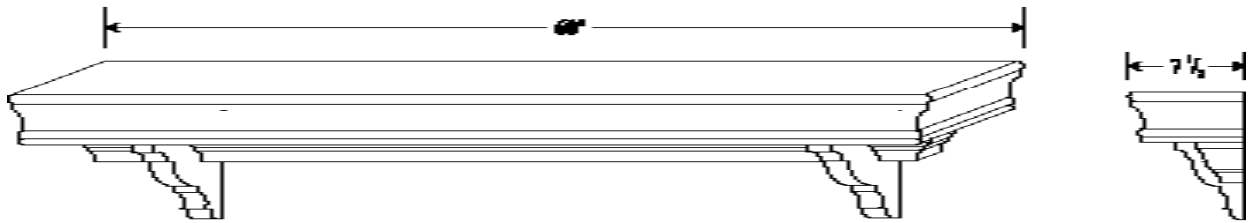
To be included at a later date



	<i>Std.</i>		<i>Std.</i>
A - Corbel Edge to Shelf Edge		E - Overall Height	
B - Return Width		F - Top Shelf Length	
C - Corbel Height		F - Top Shelf Depth	
D - Shelf Height		G - Bottom Flat	
		H - Corbel Width	

TRADITIONAL

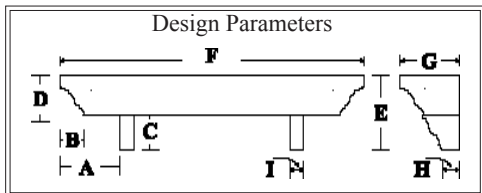
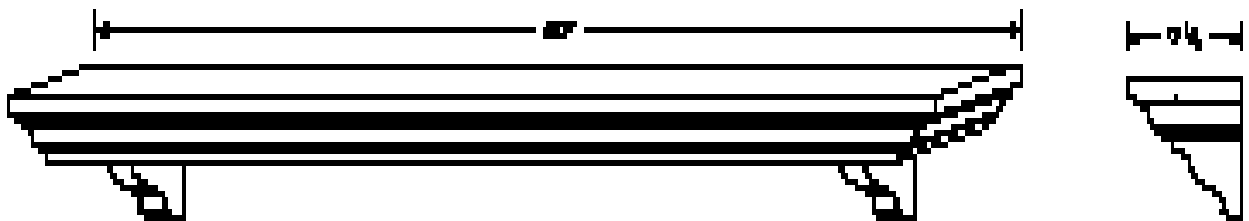
Part Number - FPM S1



	<i>Std.</i>		<i>Std.</i>
A - Corbel Edge to Shelf Edge	8	E - Overall Height	$8 \frac{1}{4}$
B - Return Width	$5 \frac{3}{8}$	F - Top Shelf Length	60
C - Corbel Height	5	F - Top Shelf Depth	$7 \frac{1}{2}$
D - Shelf Height	$3 \frac{1}{4}$	G - Bottom Flat	$\frac{1}{2}$
		H - Corbel Width	$2 \frac{1}{4}$

DRAGAS

Part Number - FPM S2

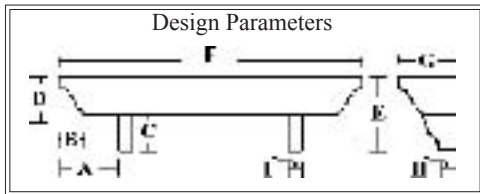
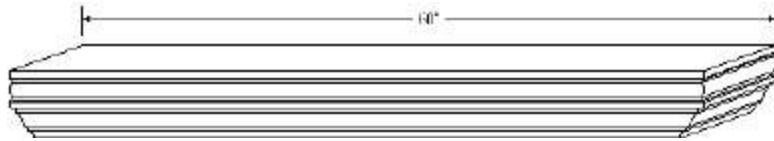


	<i>Std.</i>		<i>Std.</i>
A - Corbel Edge to Shelf Edge	8	E - Overall Height	$9 \frac{3}{8}$
B - Return Width	$2 \frac{1}{2}$	F - Top Shelf Length	60
C - Corbel Height	5	G - Top Shelf Depth	$7 \frac{1}{2}$
D - Shelf Height	$4 \frac{3}{8}$	H - Bottom Flat	$4 \frac{3}{4}$
		I - Corbel Width	$1 \frac{1}{2}$

III. Shelf Mantles

PEBBLE BEACH

Part Number - FPM S3

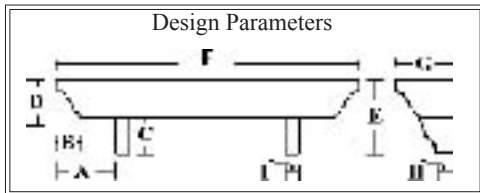


	<i>Std.</i>	<i>Std.</i>
A - Corbel Edge to Shelf Edge	NA	E - Overall Height
B - Return Width	$2 \frac{3}{8}$	F - Top Shelf Length
C - Corbel Height	NA	F - Top Shelf Depth
D - Shelf Height	$6 \frac{1}{8}$	G - Bottom Flat
		H - Corbel Width

CRAFTSMAN

Part Number - FPM S

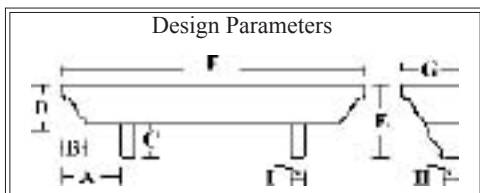
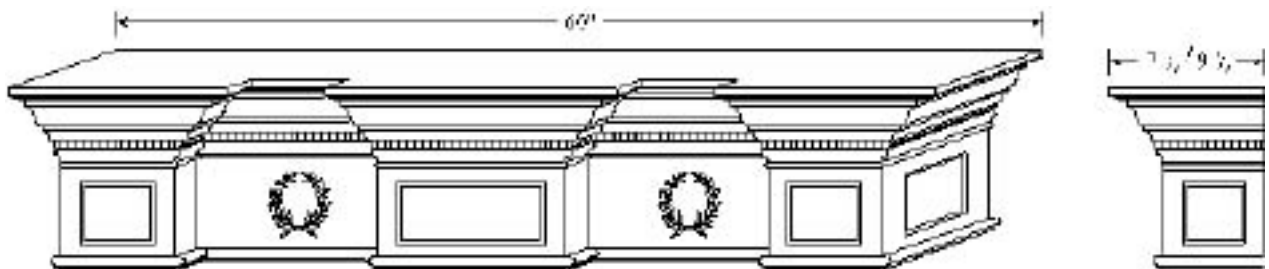
To be included at a later date



	<i>Std.</i>	<i>Std.</i>
A - Corbel Edge to Shelf Edge	NA	E - Overall Height
B - Return Width	NA	F - Top Shelf Length
C - Corbel Height	NA	F - Top Shelf Depth
D - Shelf Height	NA	G - Bottom Flat
		H - Corbel Width

STANFORD

Part Number - FPM S5

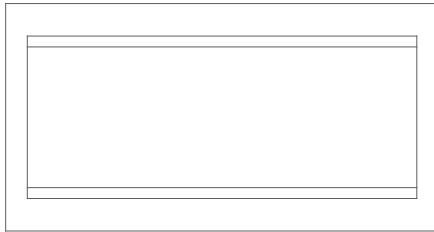


	<i>Std.</i>	<i>Std.</i>
A - Corbel Edge to Shelf Edge	NA	E - Overall Height
B - Return Width	$3 \frac{1}{2}$	F - Top Shelf Length
C - Corbel Height	NA	G - Top Shelf Depth
D - Shelf Height	$11 \frac{7}{8}$	H - Bottom Flat
		I - Corbel Width

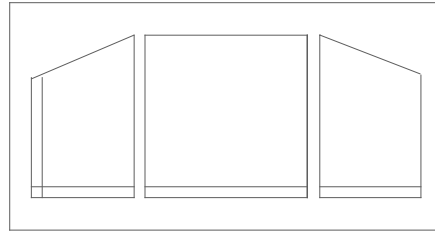
IV. Overmantle Facades

Use Part Number OM ? (#1 thru #8) -- Example OM 1

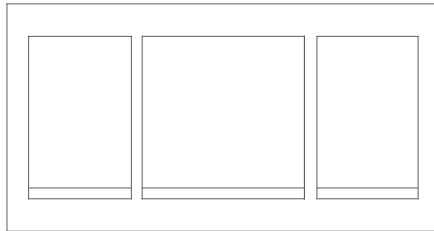
OM 1



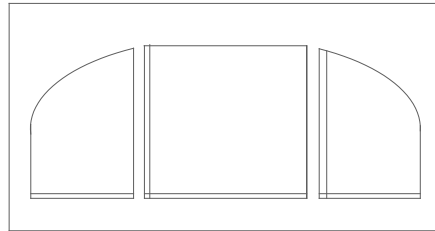
OM 5



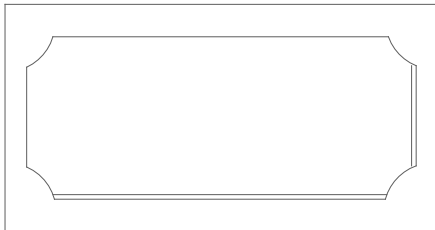
OM 2



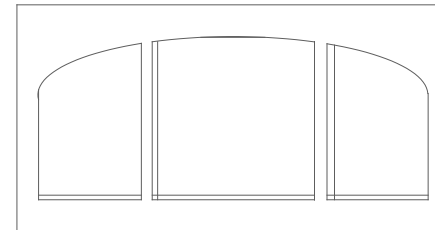
OM 6



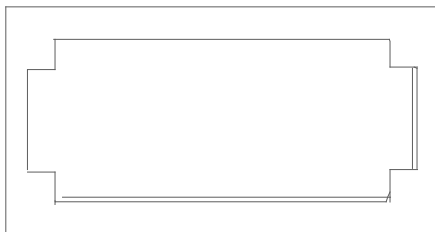
OM 3



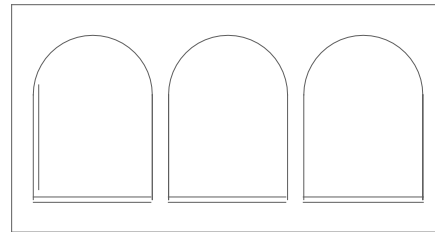
OM 7



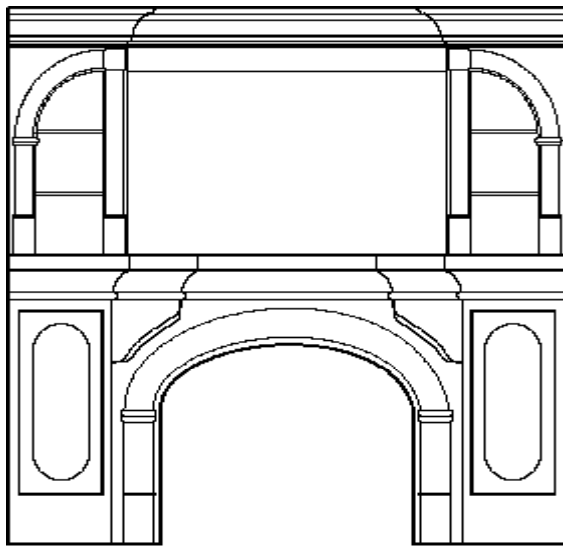
OM 4



OM 8



V. Endwall Applications

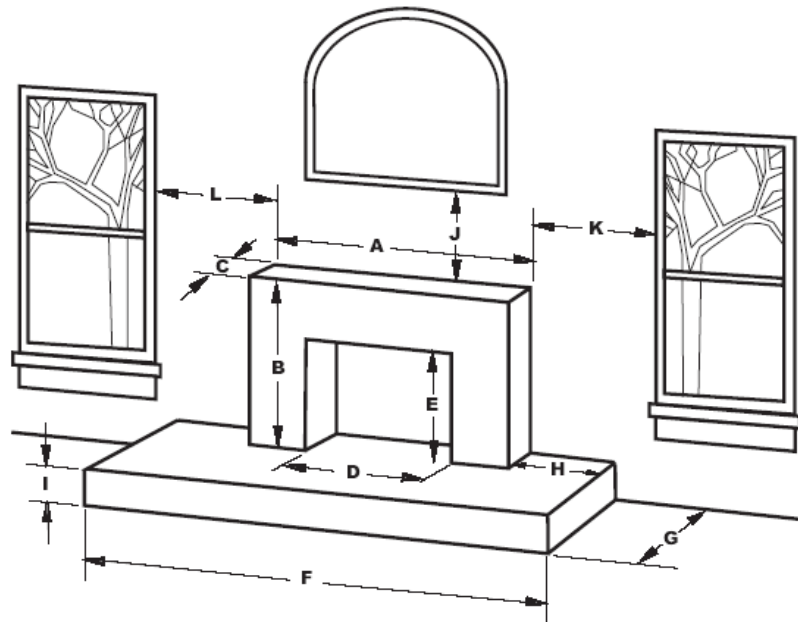


Additional
Endwall
Applications
included at a
Future Date

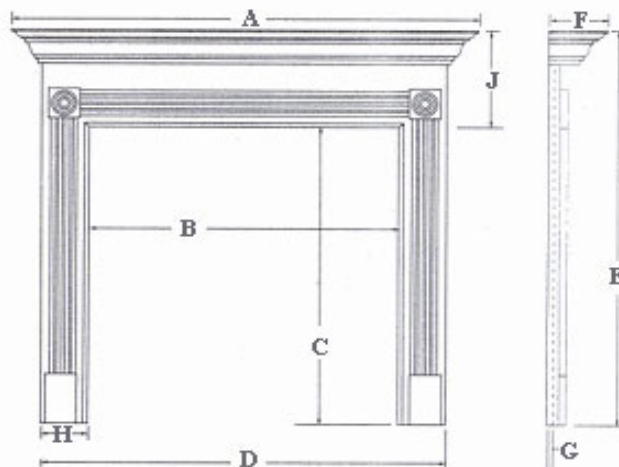
VI. MEASURING INFORMATION

This drawing shows a fireplace WITHOUT a mantel. A review of these dimensions should help determine if you can use a standard dimension unit or need a custom mantel.

- A: facing outside width
- B: facing outside height
- C: facing thickness
- D: facing inside width
- E: facing inside height
- F: hearth width
- G: hearth depth
- H: hearth side projection
- I: hearth height
- J: height clearance
- K: side clearance right
- L: side clearance left



- A- Shelf Length
- B- Opening Width
- C- Opening Height
- D- Body Width
- E- Overall Height
- F- Shelf Depth
- G- Return Depth
- H- Leg Width
- J- Breast Height

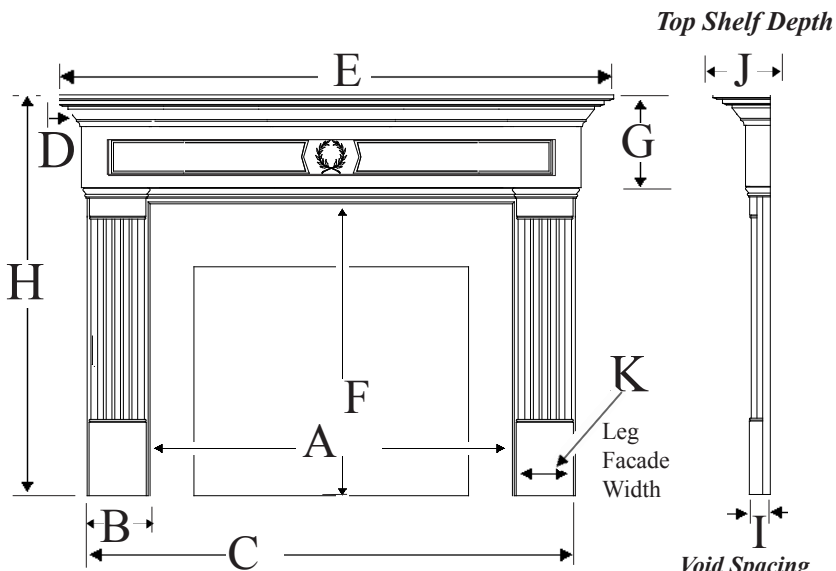


For Terms and Definitions
see page 20.

VII. Legged Mantle Ordering Form

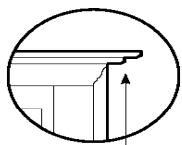
* For Standard Size and Species just enter item name/part #/species.

* Custom orders require complete and accurate measurements, ensure measurements are within range as specified on fireplace/mantle elevation detail page.



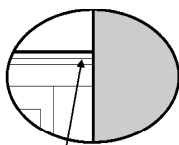
Void Spacing Depth
(Use when B/C or wall is deeper than top shelf).

Standard Overhang



Mantle Shelf does not butt bookcase or wall.

Butt Overhang



Mantle Shelf butts bookcase or wall.

DESIGN PARAMETERS

- * Overall Mantle Height above finished floor normally ranges between 52 and 74 inches.
- * Building Codes -
 - 1) International Residential Code for masonry fireplaces limit Top Shelf Depth to specific depths. Confirm the local codes with your building inspector.
 - 2) Gas Inserts may or may not limit Top Shelf Depths dependent on your manufacturer and model #. Confirm with your manufacturer all restrictions.
- * Top shelf on some mantle designs allow space for electrical receptacles and some do not.

Customer _____
 Lot # _____
 Picking Tkt. # _____

Standard Size Order _____
 Item Name _____
 Part # _____
 Species _____

Custom Size Order
 Item Name _____
 Part # _____
 Species _____

Widths
 A Opening Width _____
 B Leg Back Plate Width _____
 C Leg to Leg Width $A+(2xB)=C$ _____
 D Shelf Side O/H _____

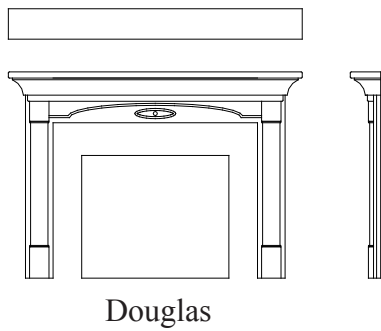
E Top Shelf O.A. Width $C+(2xD)=E$ _____

Heights
 F Opening Height _____
 G Breast Height _____
 H O.A. Height $F+G=H$ _____

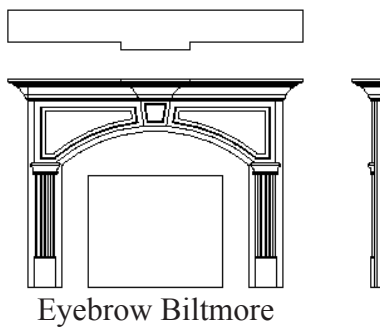
Depth
 I Void Spacing Depth _____
 (I=Facing Mat'l + 1/4, Std at 1")

J Top Shelf Depth _____
 (Std Depth plus or minus Void Spacing Change)

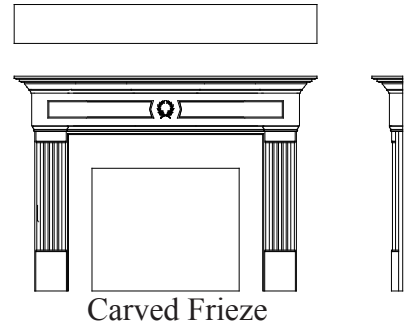
Other Information
 K Leg Facade Width _____
 Left Side Overhang _____
 Standard or Butt _____
 Right Side Overhang _____
 Standard or Butt _____
 Options for Mouldings & Breasts _____



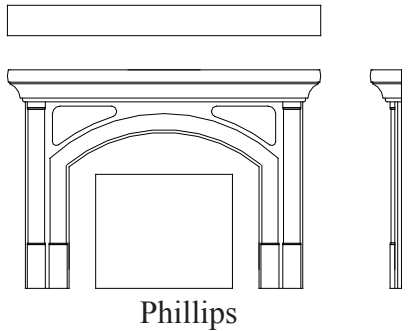
Douglas



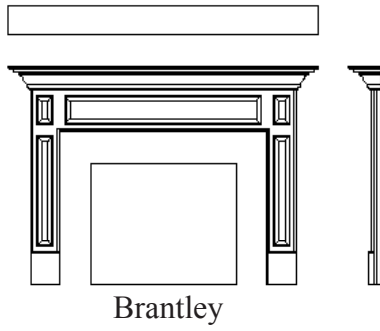
Eyebrow Biltmore



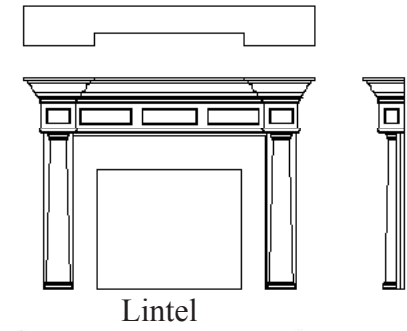
Carved Frieze



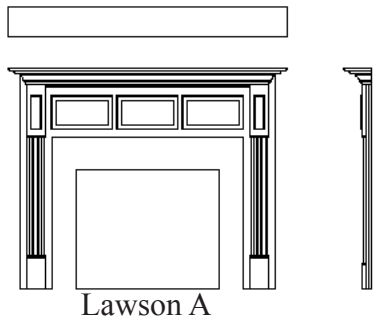
Phillips



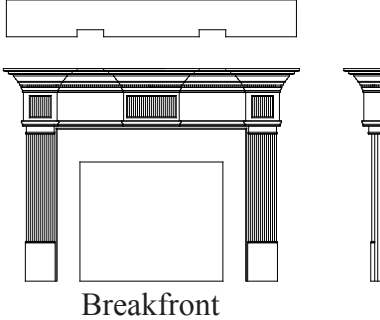
Brantley



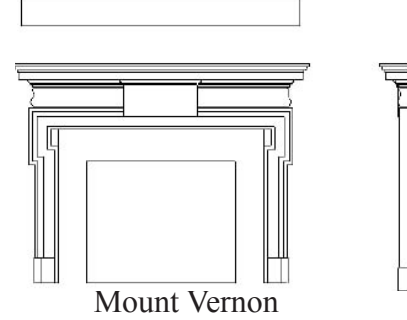
Lintel



Lawson A

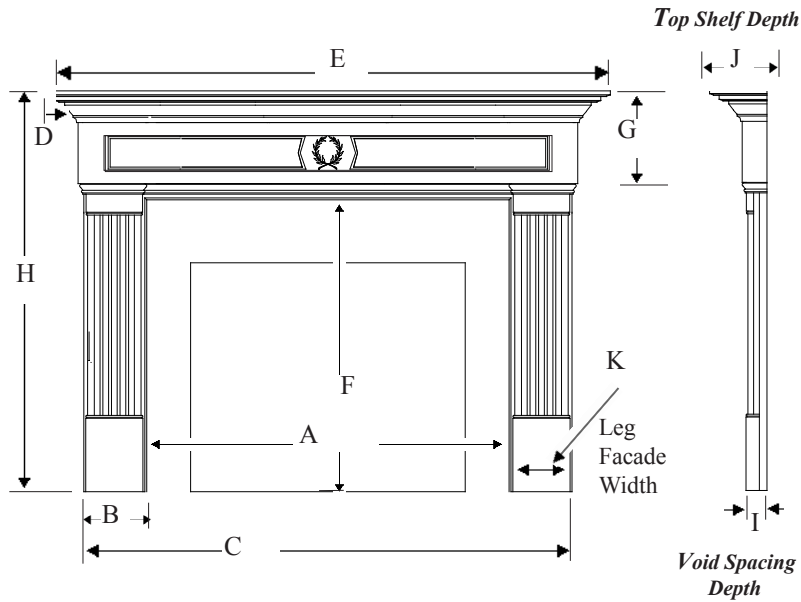


Breakfront



Mount Vernon

TERMS AND DEFINITIONS



- A. Opening Width
- B. Leg Back Plate Width ..
- C. Leg to Leg Width $A+(2xB)=C$
- D. Shelf Side O/H
- E. Top Shelf O.A. Width $C+(2xD)=E$
- F. Opening Height
- G. Breast Height
- H. O.A. Height $F+G=H$
- I. Void Spacing Depth.....
- J. Top Shelf Depth..... Note -
- K. Leg Facade Width

Options for Moulding & Breasts

INTERNAL PART # INFO:

Species	Part# Prefix
Primed	=PR
Oak	=O
Yellow Pine	=YP

L. Left } Standard O/H
 R. Right } vs Butt O/H

Dave's Mouldings, Solid Surface & Stone



- Directions from I-64 -

- Take Exit 291-B from I-64.
- Upon leaving ramp, yield all the way to the left lane to get onto the 168 Chesapeake Expressway towards "Nags Head / Manteo".
- Stay on 168 Bypass Expressway for 8.7 miles.
- Take Exit 8-B onto Hillcrest Pkwy. (Last Exit before the Toll)
- Follow exit around and go .7 miles to the dead end at traffic light.
- Turn right at the light onto Battlefield Blvd.
- Continue on Battlefield Blvd. for 2.8 miles.
- You will see the Dave's Cabinet sign on left, just before the overpass.
- Turn left onto Woodworkers Court.
- Follow to the end.

Visit us on the web. Catalogues available online.

CabinetsByDaves.com StairsByDaves.com MouldingsByDaves.com CountertopsByDaves.com

132 WOODWORKERS CT., CHESAPEAKE, VA 23322
(757) 421-3283 FAX (757) 421-4252